



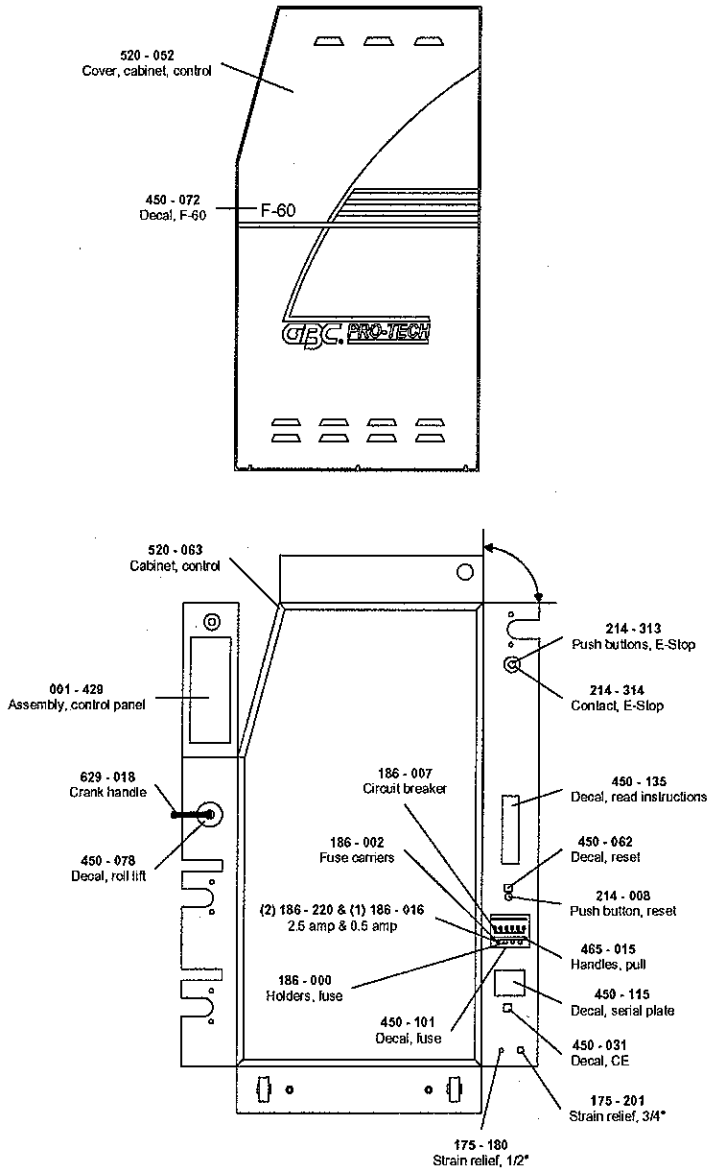
FALCON 60 Parts List

GBC IS AN ACCO BRANDS COMPANY

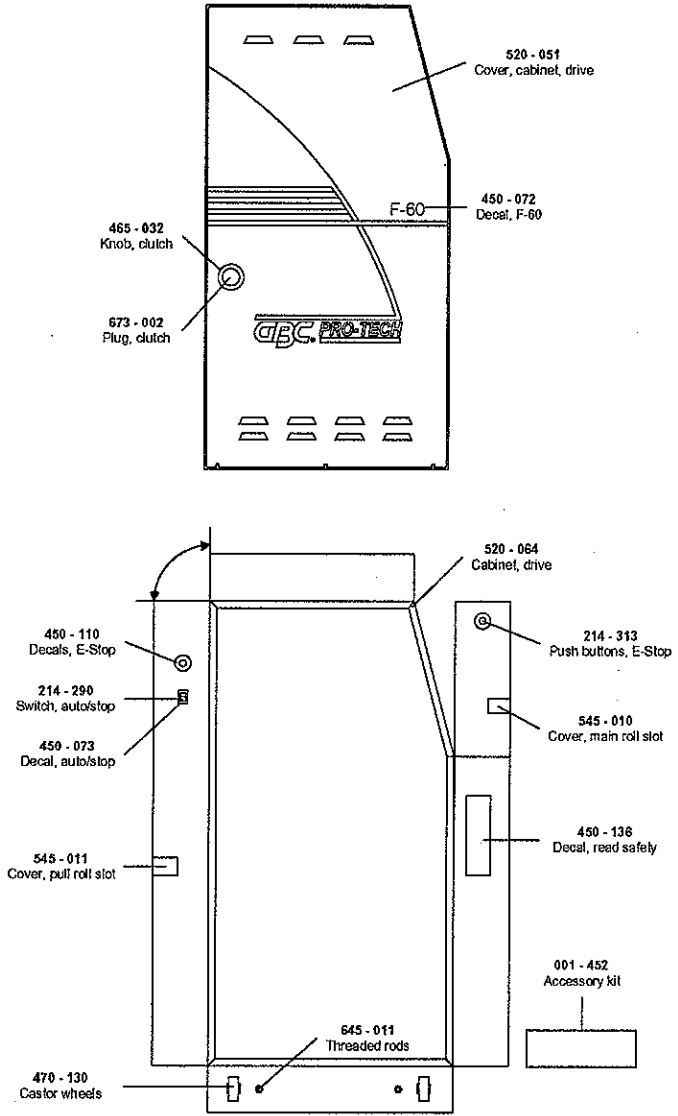


Falcon 60
Illustrated Parts Booklet
(000 - 056)

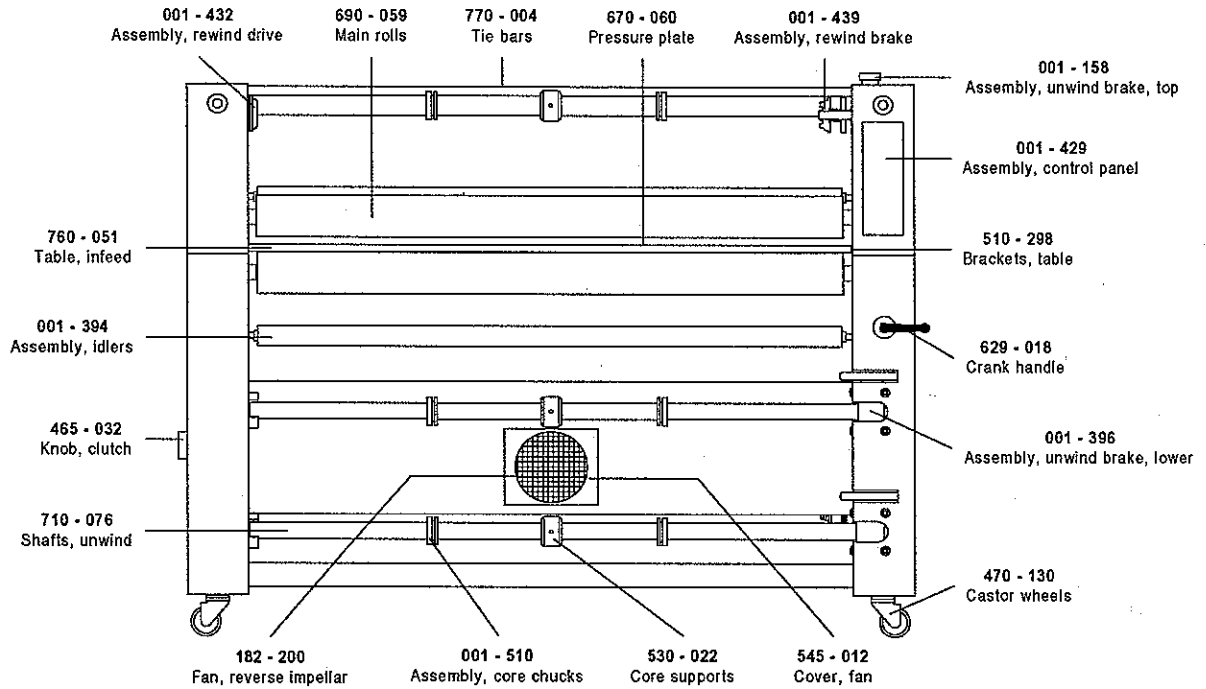
Control Side



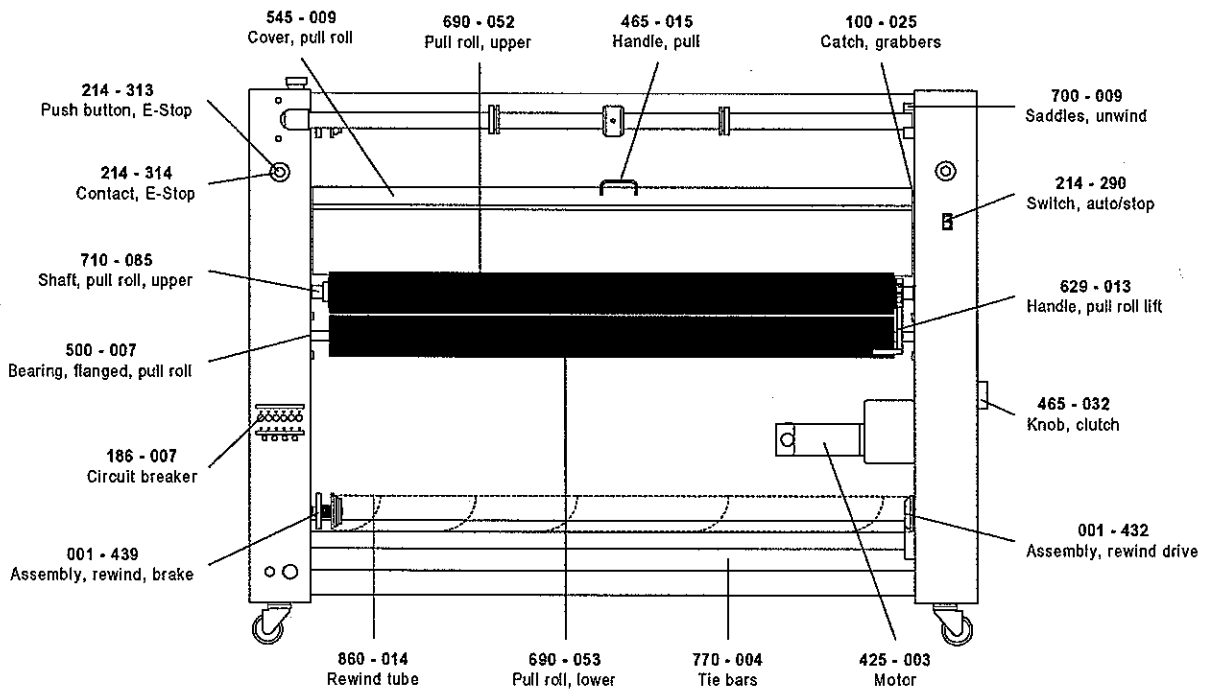
Drive Side

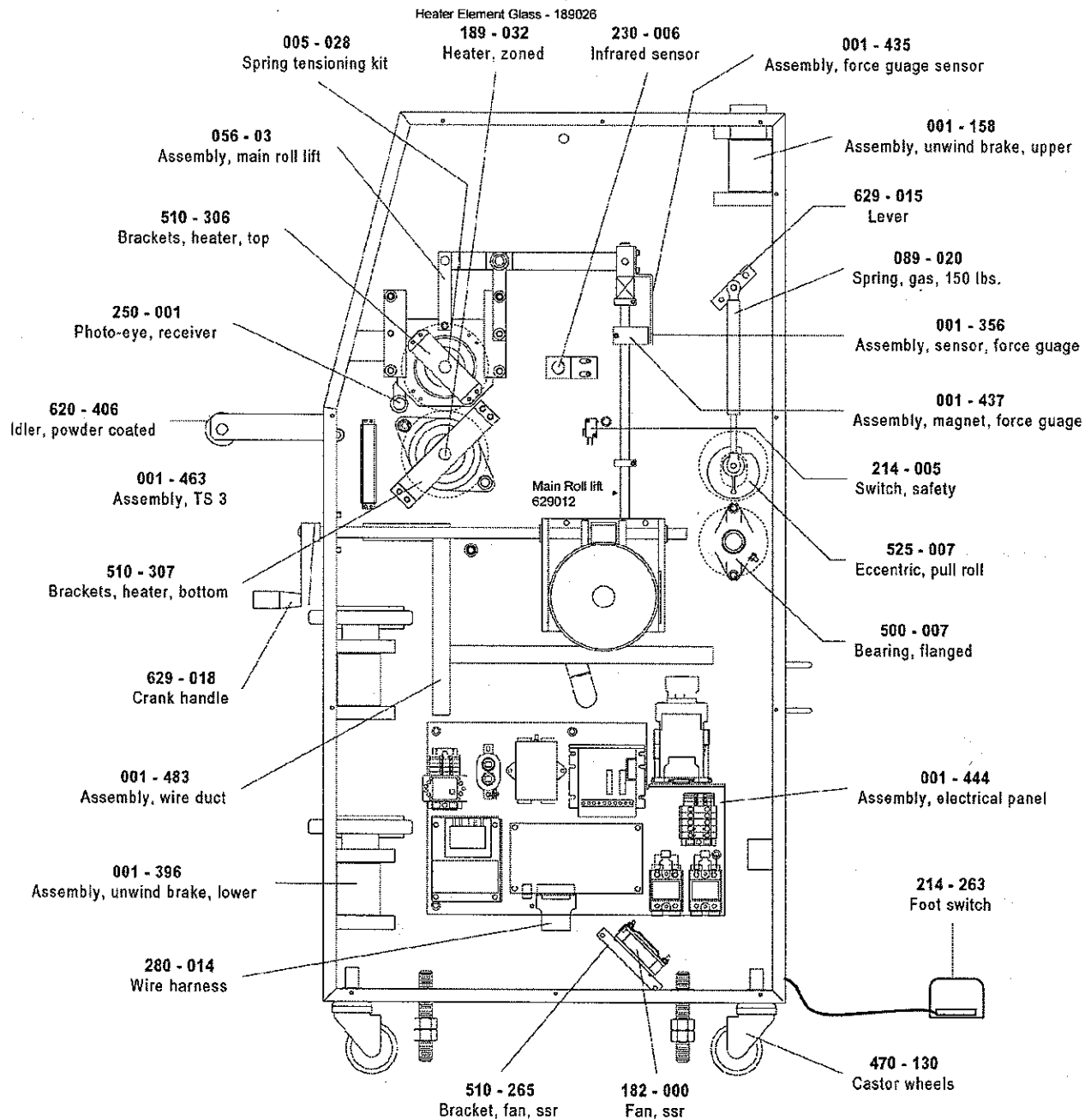


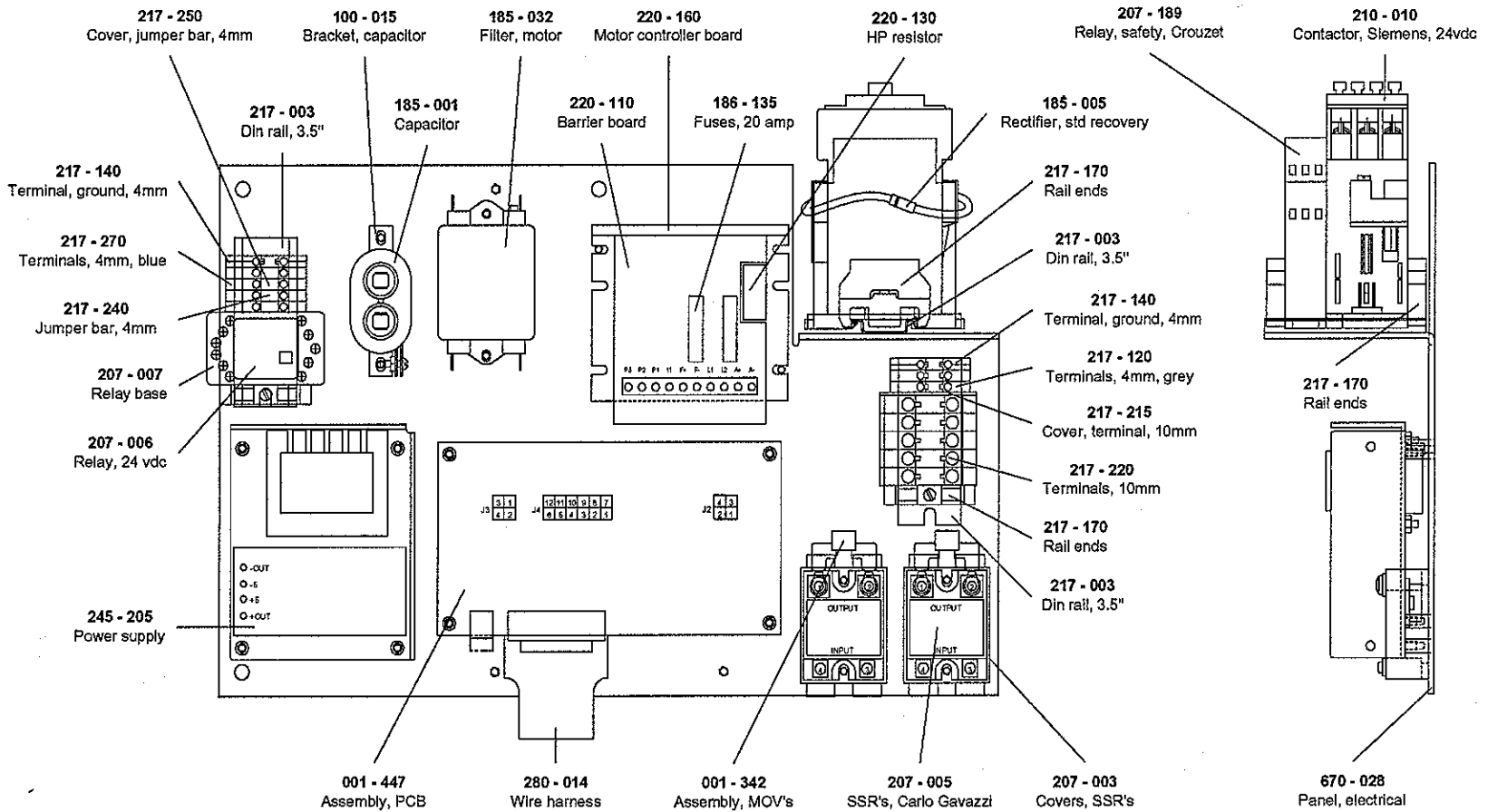
Front View



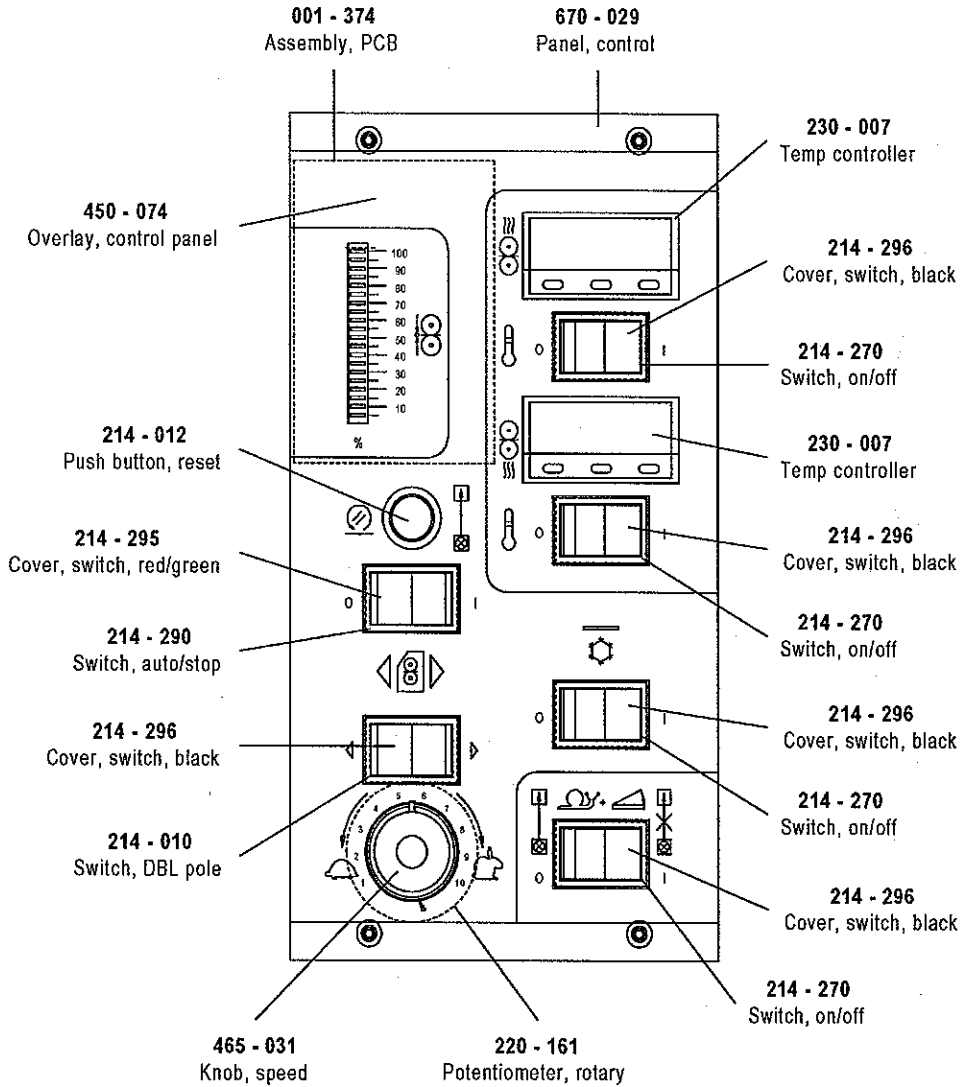
Rear View



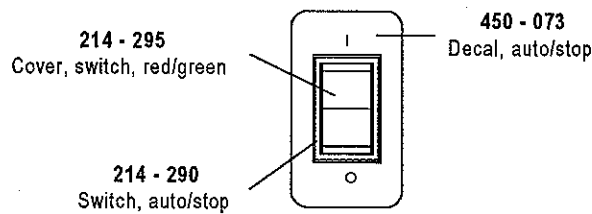


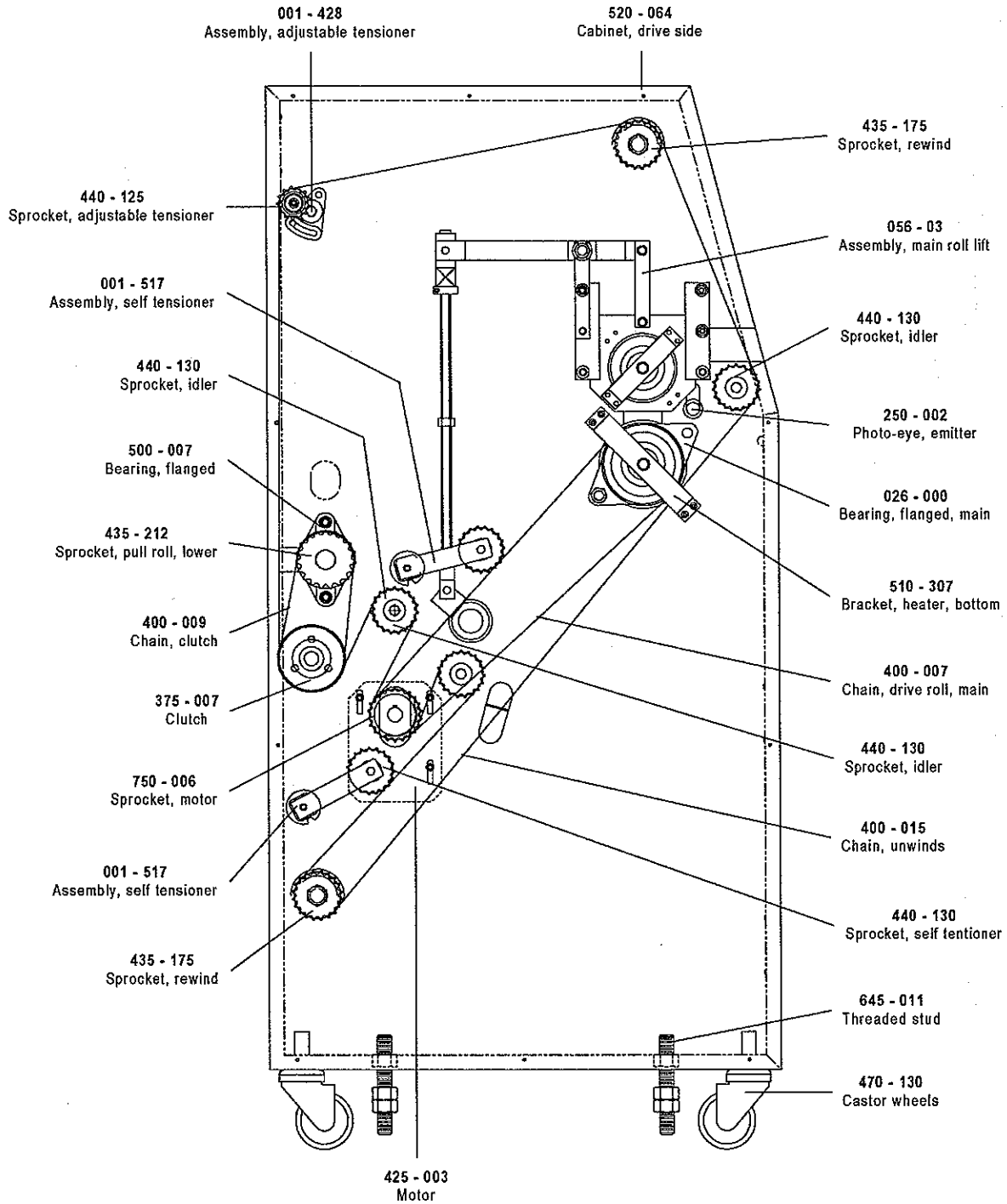


Front Control Panel

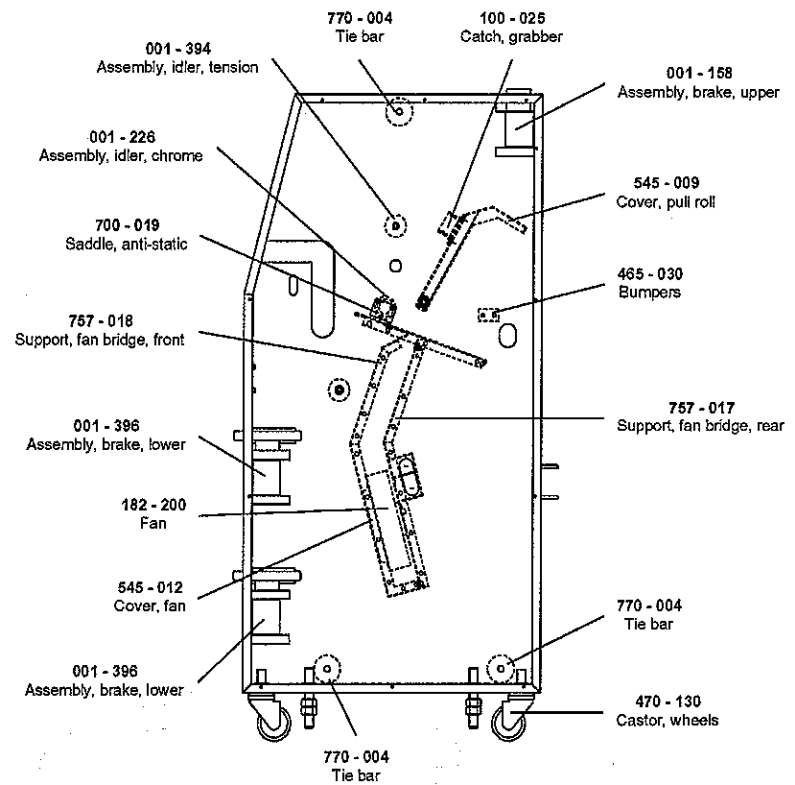


Rear Control Panel

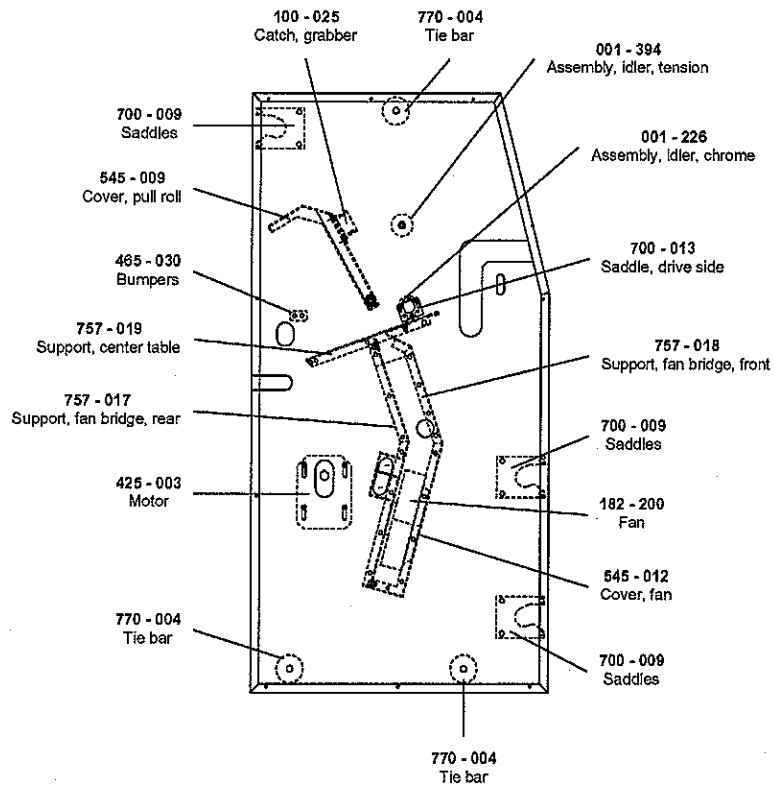




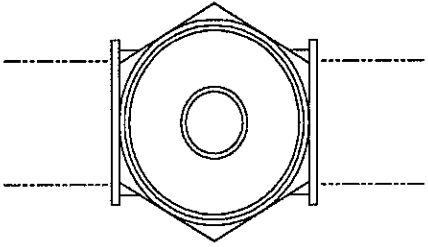
Control Side



Drive Side



REQ'D	DESCRIPTION	PART NO.	ITEM
1	PIN, PIVOT, UNWIND	625-008	1
2	BUSHING, FLANGE, NYLON	500-006	2
1	HOUSING, BRAKE	625-022	3
1	ROLL PIN, 1/8 X 1-3/4	095-105	4
1	PISTON, BRAKE	625-019	5
4	SPRING, DISC, 3/4 X 1-1/2	089-009	6
1	PAD, BRAKE, TOP	625-020	7
1	PAD, BRAKE, BOTTOM	625-021	8
1	KNOB, ADJUSTMENT, BRAKE	465-020	9

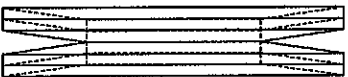
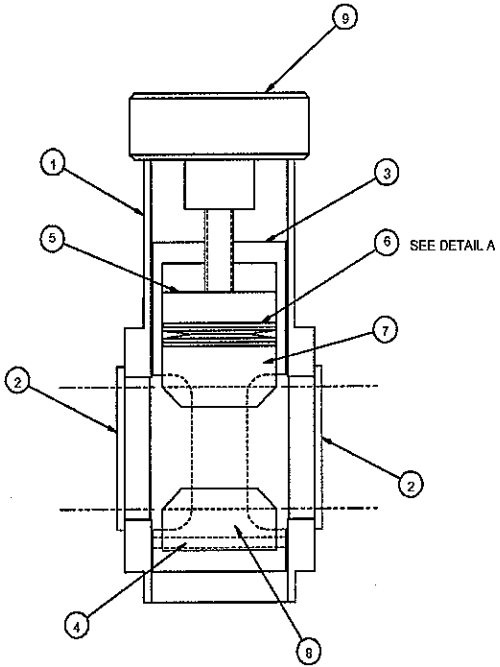
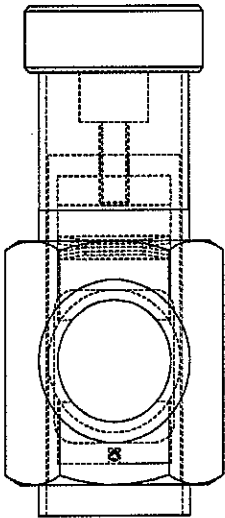


* NOT PART OF THIS ASSEMBLY

510 - 223 UNWIND CLEVIS

* FOR PART NUMBER REFERENCE ONLY

510 - 223 UNWIND CLEVIS

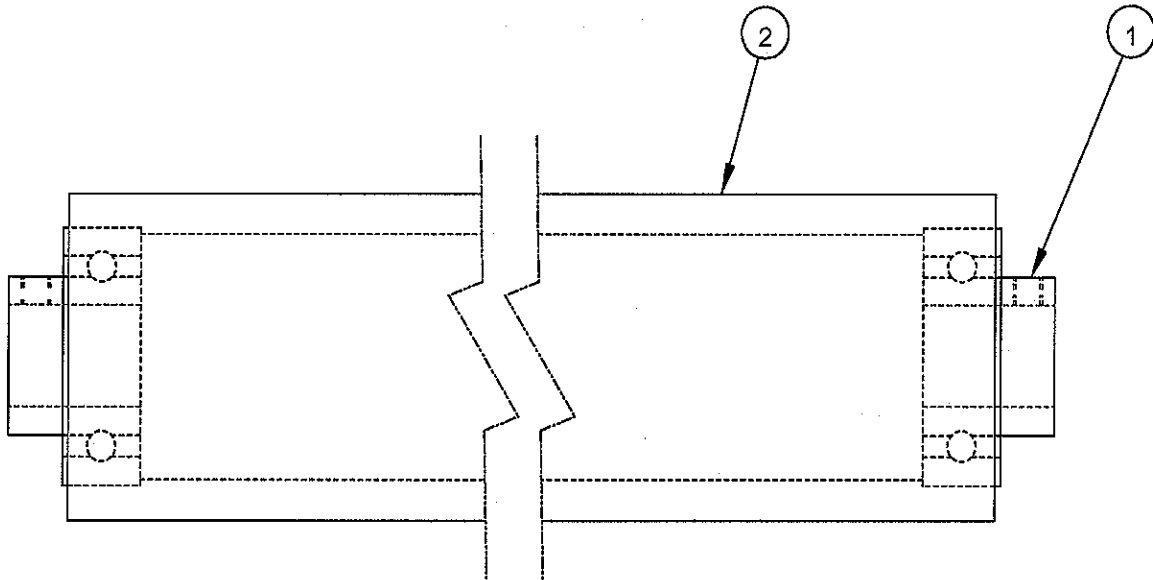


UDETAIL A
DISC SPRING ORIENTATION

3X SCALE

2550		2507		1166		1161		0807		SHEET 1 OF 1		GBC PRO-TECH	
UNLESS OTHERWISE SPECIFIED		TOLERANCE		FINISH		TYP		DATE		15-10-81		4151 Anderson Road, Oakwood, Wisconsin 53022 Phone (262) 265-0441 Fax (262) 265-0444	
XX	P.150	XX	P.150	XX	P.150	XX	P.150	XX	P.150	TITLE		ASSEMBLY, BRAKE	
XX	P.022	XX	P.022	XX	P.022	XX	P.022	XX	P.022	DATE	15-10-81	DRAWN BY	RA
XX	P.010	XX	P.010	XX	P.010	XX	P.010	XX	P.010	SCALE	1/1	SIZE	C
XX	P.022	XX	P.022	XX	P.022	XX	P.022	XX	P.022	QTY		Part No.	001-158

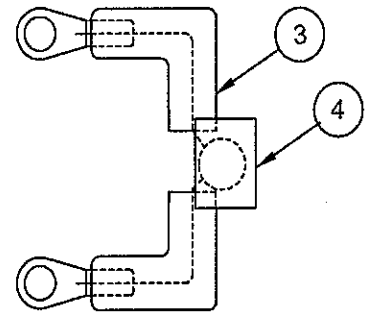
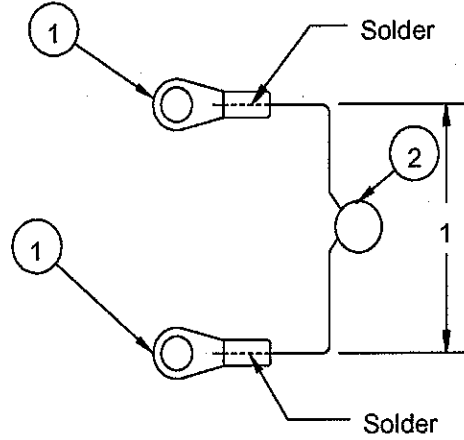
REQ'D	DESCRIPTION	PART NO.	ITEM
2	BEARING, IDLER	020-100	1
1	IDLER, 2" X 64", NICKEL	620-405	2



This print is the property of PRO-TECH ENGR. The information thereon is furnished in confidence.										
UNLESS OTHERWISE SPECIFIED TOLERANCE					Pro-Tech Engineering					
					2117 N. Stoughton Rd. Madison, Wisconsin 53704 Phone (608) 249-8844 Fax (608) 246-8845					
DM. AS SHOWN					TOL.	FINISH TO BE	TITLE:			
XX					P. 1/84	125	ASSY, IDLER			
X					P. 050	√	F 60, ORCA II, ORCA III			
XX					P. 020		DATE:	DRAWN BY:	DWG SCALE:	Dwg:
XXX					P. 010	ANGLES	1-10-95	K.L.	A1	001-226
XXXX					P. 005	F ID				

REQ'D	DESCRIPTION	PART NO.	ITEM
2	Connector ring	215-006	1
1	METAL-OXIDE VARISTOR	185-006	2
2	SHRINK TUBE, 1/8" DIA. BY 1.0"	180-425	3
1	SHRINK TUBE, 0.5" DIA. BY 0.85"	180-450	4

Apply a heat shrink tube after soldering



This print is the property of PRO-TECH ENGR. The information thereon is reprinted in confidence.						
UNLESS OTHERWISE SPECIFIED TOLERANCE			Pro-Tech Engineering 2117 N. Sloughdon Rd. Madison, Wisconsin 53704 Phone (608) 248-8644 Fax (608) 248-9845			
DIM AS SHOWN	TOL.	FINISH TO BE				
XX	P .1/84	125√				
X	P .050					
XX	P .020					
XXX	P .010	ANGLES P 1D	DATE: 3-26-96	DRAWN BY: HZ	DWG SCALE: A1	Dwg 001-342
XXXX	P .005					

PROPRIETARY
 GBC PRO-TECH CLAIMS PROPRIETARY RIGHTS TO THE MATERIAL DISCLOSED ON THIS DRAWING. IT IS ISSUED IN CONFIDENCE FOR ENGINEERING INFORMATION ONLY AND SHALL NOT BE REPRODUCED, COPIED OR DISCLOSED IN WHOLE OR IN PART, OR USED FOR MANUFACTURE OR FOR ANY OTHER PURPOSE WITHOUT WRITTEN PERMISSION FROM GBC PRO-TECH

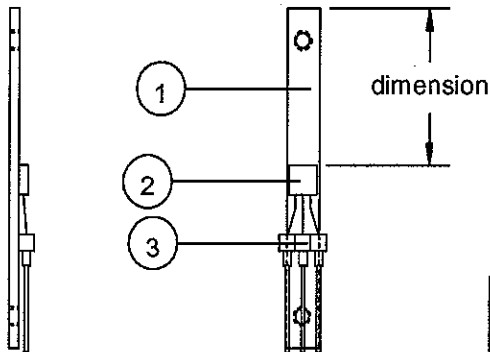
REQ'D	DESCRIPTION	PART NO.	ITEM
1	FLAT	672-021	1
1	TRANSDUCER,HALL EFFECT	185-007	2
1	TERMINAL 3 LEAD	217-001	3

FOR IF40 (000-059) & Falcon 36 Series II (000-061):
 Replacement for 001-356 Force Sensor Assembly is 001-504.

FOR F60 (000-056) & DS60 (000-052):
 Replacement for 001-356 Force Sensor Assembly is 001-503.

This assembly uses 1.00" locating dimension and is interchangeable with the original 001-356.

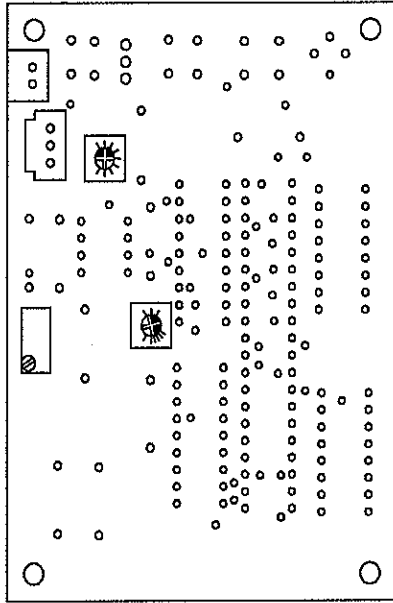
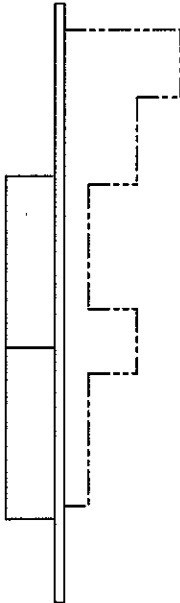
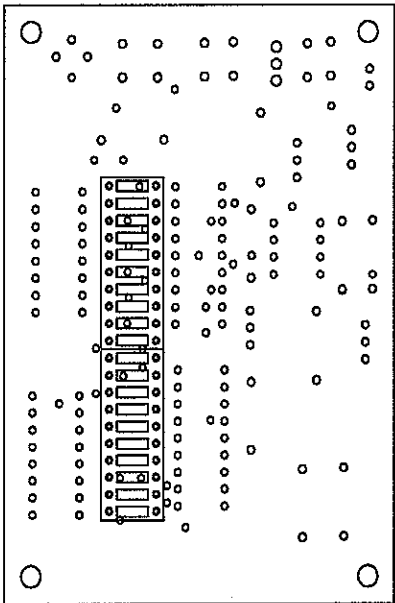
This assembly uses .38" locating dimension.



SHEET 1 OF 1		UNLESS OTHERWISE SPECIFIED TOLERANCE		 4151 Anderson Road, DeForest, Wisconsin 53532 Phone (608) 246-8844 Fax (608) 246-8845	
DIM. AS SHOWN	TOL.	FINISH TO BE	TITLE: ASSY, SENSOR, FORCE F - 60		
XX	P .1/64	125√	DATE: 07/16/96	DRAWN BY: MS	SCALE: 1/1
X	P .050		RELEASE NO. 1247		SIZE: A
XX	P .020				Dwg: 001-356
X,XX	P .010	ANGLES P 1D			
X,XXX	P .005				

REQ'D	DESCRIPTION	PART NO.	ITEM
1	PARTS LIST SPEC. DOC	001-374.xls	1
1	TEST AND CALIB.DOC	820-050.	2
1	SCHEMATIC	810-022	3
1	FABRICATED PCB	671-005	4

PROPRIETARY
 GBC PRO-TECH CLAIMS PROPRIETARY RIGHTS TO THE MATERIAL DISCLOSED ON THIS DRAWING. IT IS ISSUED IN CONFIDENCE FOR ENGINEERING INFORMATION ONLY AND SHALL NOT BE REPRODUCED, COPIED OR DISCLOSED IN WHOLE OR IN PART, OR USED FOR MANUFACTURE OR FOR ANY OTHER PURPOSE WITHOUT WRITTEN PERMISSION FROM GBC PRO-TECH

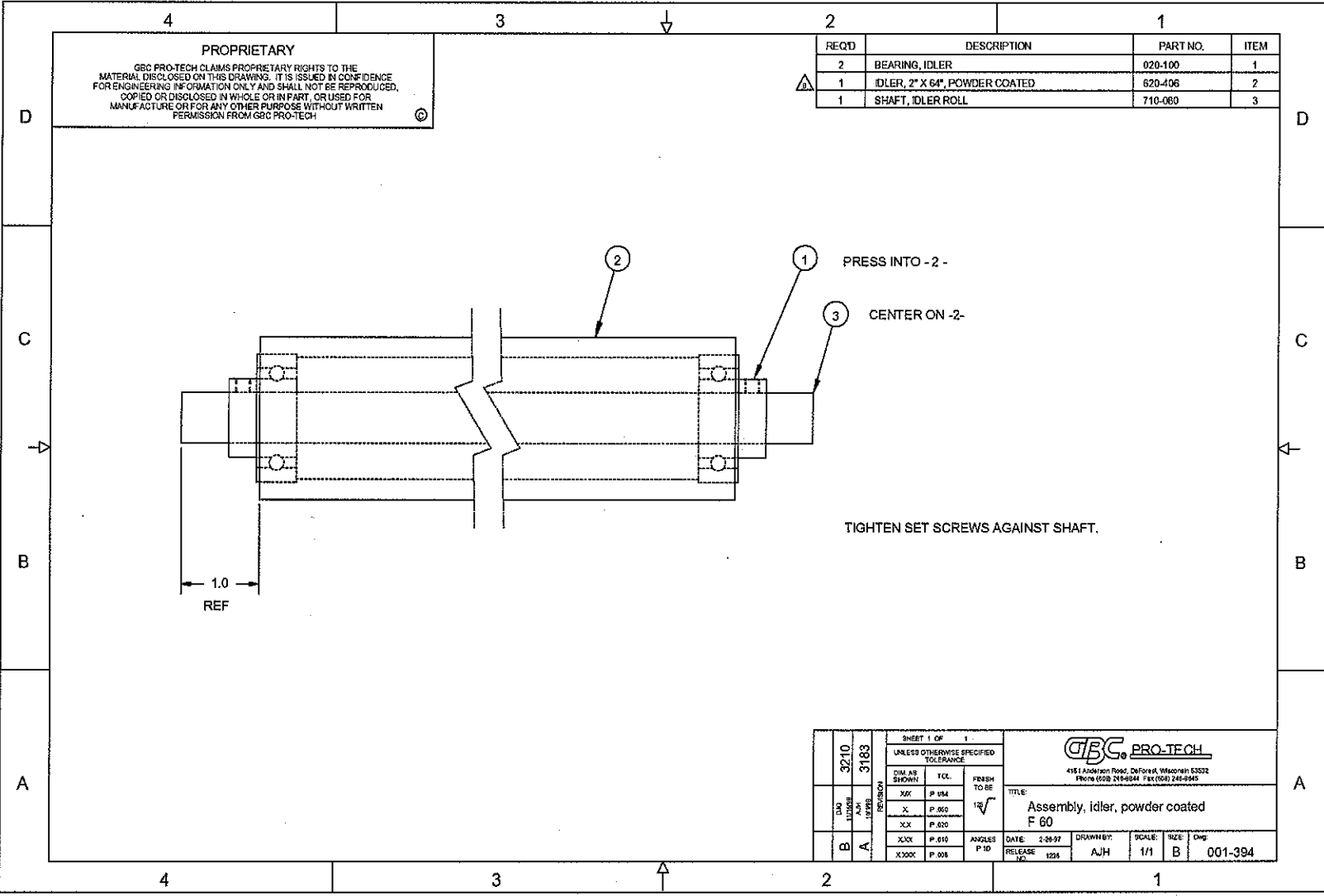


- 1.SOLDER SPEC: WAVE SOLDERING
- 2.UL SPEC: UL 796,SEVENTH EDITION

SHEET 1 OF 1			<p>4151 Anderson Road, DeForest, Wisconsin 53532 Phone (608) 246-8844 Fax (608) 246-8845</p>			
UNLESS OTHERWISE SPECIFIED TOLERANCE						
DIM. AS SHOWN	TOL.	FINISH TO BE 125√	TITLE: ASSY, FORCE GAUGE PCB			
XX	P .1/64					
X	P .050					
X.X	P .020					
XXX	P .010	ANGLES P 1D	DATE: 4-30-97	DRAWN BY: GTS	SCALE: 1/1	SIZE: A
XXXX	P .005		RELEASE NO 2032	Dwg: 001-374		

REQD	DESCRIPTION	PART NO.	ITEM
2	BEARING, IDLER	020-100	1
1	IDLER, 2" X 64", POWDER COATED	620-406	2
1	SHAFT, IDLER ROLL	710-060	3

PROPRIETARY
 GBC PRO-TECH CLAIMS PROPRIETARY RIGHTS TO THE MATERIAL DISCLOSED ON THIS DRAWING. IT IS ISSUED IN CONFIDENCE FOR ENGINEERING INFORMATION ONLY AND SHALL NOT BE REPRODUCED, COPIED OR DISCLOSED IN WHOLE OR IN PART, OR USED FOR MANUFACTURE OR FOR ANY OTHER PURPOSE WITHOUT WRITTEN PERMISSION FROM GBC PRO-TECH



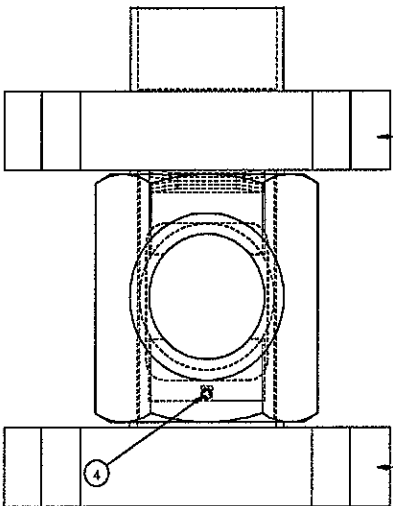
SHEET 1 OF 1		UNLESS OTHERWISE SPECIFIED TOLERANCE		GBC PRO-TECH	
DIM AS SHOWN		FRESH TO BE		415 Jackson Road, DeForest, Wisconsin 53532 Phone (608) 248-8844 Fax (608) 248-8945	
XXX	P.004	✓		TITLE: Assembly, idler, powder coated F 60	
X	P.050			DATE: 2-28-97	DRAWN BY: AJH
XX	P.020			RELEASE NO: 1226	SCALE: 1/1
XXX	P.010	ANGLES P.10			SIZE: B
XXXX	P.006				DWG NO: 001-394

REQ'D	DESCRIPTION	PART NO.	ITEM
1	PIN, PIVOT, UNWIND	625-008	1
2	BUSHING, FLANGE, NYLON	500-006	2
1	HOUSING, BRAKE	625-022	3
1	ROLL PIN, 1/8 X 1-3/4	095-105	4
1	PISTON, BRAKE	625-019	5
4	SPRING, DISC, 3/4 X 1-1/2	089-000	6
1	PAD, BRAKE, TOP	625-020	7
1	PAD, BRAKE, BOTTOM	625-021	8
1	STUD	645-024	9
1	UNWIND DIAL	625-010	10
1	3/8 WASHER	STK	11
1	3/8 NYLOC NUT	STK	12
1	3/8 NUT	STK	13

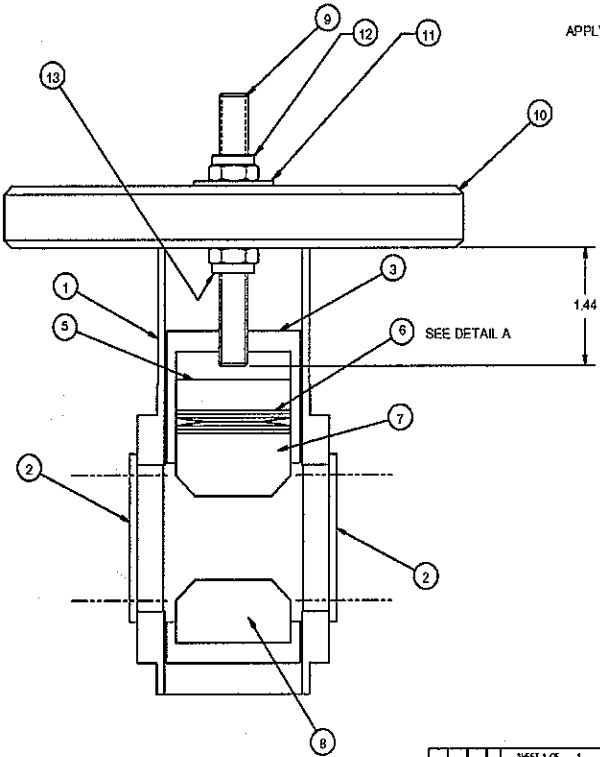
PROPRIETARY
 GBC PRO-TECH CLAIMS PROPRIETARY RIGHTS TO THE MATERIAL DISCLOSED ON THIS DRAWING. IT IS ISSUED IN CONFIDENCE FOR ENGINEERING INFORMATION ONLY AND SHALL NOT BE REPRODUCED, COPIED OR DISCLOSED IN WHOLE OR IN PART, OR USED FOR MANUFACTURE, OR FOR ANY OTHER PURPOSE WITHOUT WRITTEN PERMISSION FROM GBC PRO-TECH



UDETAIL A
 DISC SPRING ORIENTATION
 3X SCALE



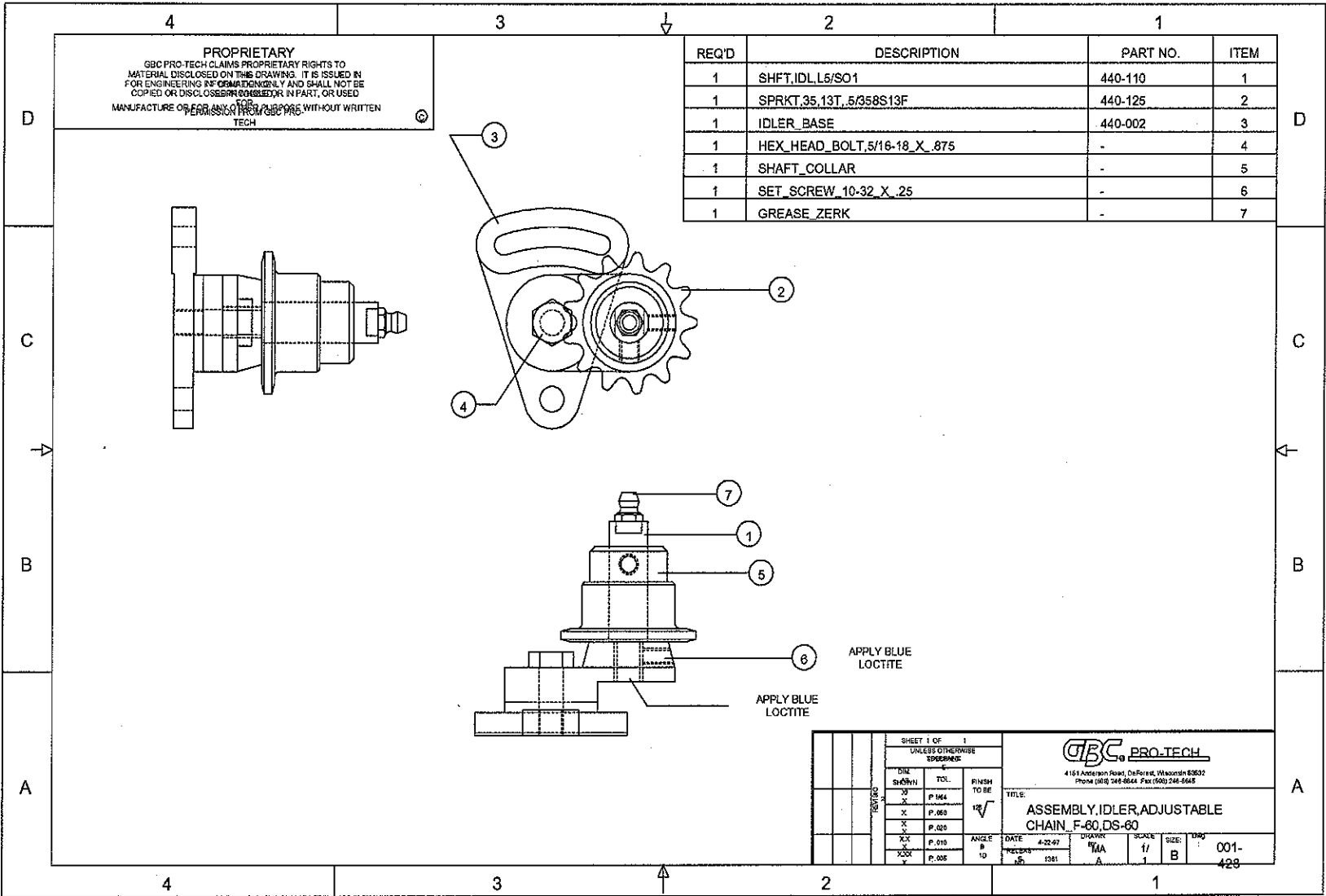
510 - 223 Unwind clevis
 * Not part of this assembly!
 For part number reference only!
 510 - 223 Unwind clevis



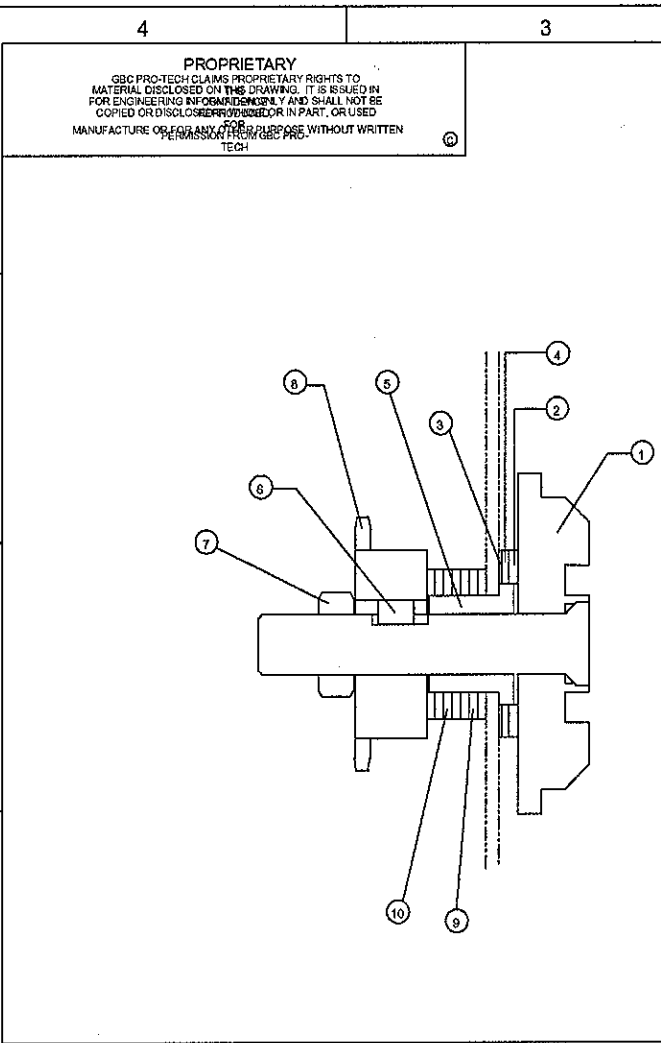
APPLY ANTI-SIEZE COMPOUND



SHEET 1 OF 1		UNLESS OTHERWISE SPECIFIED TOLERANCES:		 4151 Avenue Road, Oak Creek, Wisconsin 53002 Phone: (262) 248-0001 Fax: (262) 248-0005	
DATE	REV	BY	CHKD	DATE	REV
2072				25C	1
				25C	2
				25C	3
				25C	4
				25C	5
				25C	6
				25C	7
				25C	8
				25C	9
				25C	10
				25C	11
				25C	12
				25C	13
				25C	14
				25C	15
				25C	16
				25C	17
				25C	18
				25C	19
				25C	20
				25C	21
				25C	22
				25C	23
				25C	24
				25C	25
				25C	26
				25C	27
				25C	28
				25C	29
				25C	30
				25C	31
				25C	32
				25C	33
				25C	34
				25C	35
				25C	36
				25C	37
				25C	38
				25C	39
				25C	40
				25C	41
				25C	42
				25C	43
				25C	44
				25C	45
				25C	46
				25C	47
				25C	48
				25C	49
				25C	50
				25C	51
				25C	52
				25C	53
				25C	54
				25C	55
				25C	56
				25C	57
				25C	58
				25C	59
				25C	60
				25C	61
				25C	62
				25C	63
				25C	64
				25C	65
				25C	66
				25C	67
				25C	68
				25C	69
				25C	70
				25C	71
				25C	72
				25C	73
				25C	74
				25C	75
				25C	76
				25C	77
				25C	78
				25C	79
				25C	80
				25C	81
				25C	82
				25C	83
				25C	84
				25C	85
				25C	86
				25C	87
				25C	88
				25C	89
				25C	90
				25C	91
				25C	92
				25C	93
				25C	94
				25C	95
				25C	96
				25C	97
				25C	98
				25C	99
				25C	100



REQ'D	DESCRIPTION	PART NO.	ITEM
1	PLUG, CLUTCH DRIVE	001-261	1
1	WASHER, THRUST, .030 THK	032-420	2
1	WASHER, THRUST .030 THK	032-410	3
1	BEARING, THRUST	032-400	4
1	BUSHING, MODIFIED	500-009	5
1	KEY, 1/4 X 1/4 X 3/8 LG	-	6
1	NYLOCK NUT, 5/8-11	-	7
1	SPROCKET, 35BS20x5/8	435-175	8
6	WASHER, THRUST, .030 THK	032-205	9
1	BEARING, THRUST	032-190	10



PROPRIETARY
 GBC PRO-TECH CLAIMS PROPRIETARY RIGHTS TO
 MATERIAL DISCLOSED ON THIS DRAWING. IT IS ISSUED IN
 FOR ENGINEERING INFORMATION ONLY AND SHALL NOT BE
 COPIED OR DISCLOSED TO ANY OTHER PARTY, OR USED
 MANUFACTURE OR FOR ANY OTHER PURPOSE WITHOUT WRITTEN
 PERMISSION FROM GBC PRO-TECH

3022		SHEET 1 OF 1		UNLESS OTHERWISE SPECIFIED	
DATE	4-23-97	DRWN	PMA	SCALE	1:1
REV	1	CHK	A	SIZE	B
DATE	4-23-97	DATE	4-23-97	DATE	4-23-97
REV	1	REV	1	REV	1
DATE	4-23-97	DATE	4-23-97	DATE	4-23-97
REV	1	REV	1	REV	1

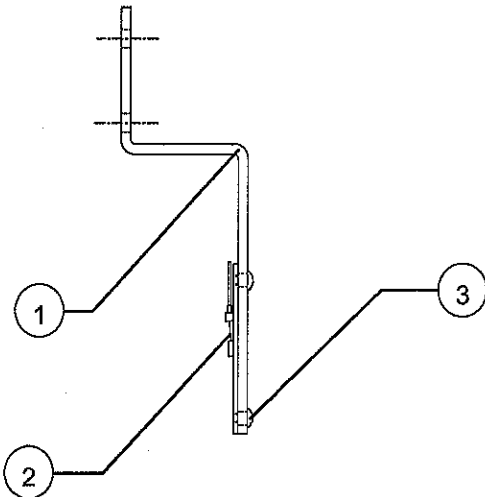
GBC PRO-TECH
 4161 Ardenwood Road, Oakland, Wisconsin 53002
 Phone (608) 242-8944 Fax (608) 242-8948

TITLE: **ASSY, REWIND, DRIVE**
 P-60, DS

60
 DATE: 4-23-97
 REV: 1
 DRWN: PMA
 SCALE: 1:1
 SIZE: B
 UPG: 001-432

REQ'D	DESCRIPTION	PART NO.	ITEM
1	GUIDE BRACKET	595-007	1
1	TRANSDUCER ASSY	001-358	2
2	#4-40 x 1/8 BHSCS	STK	3

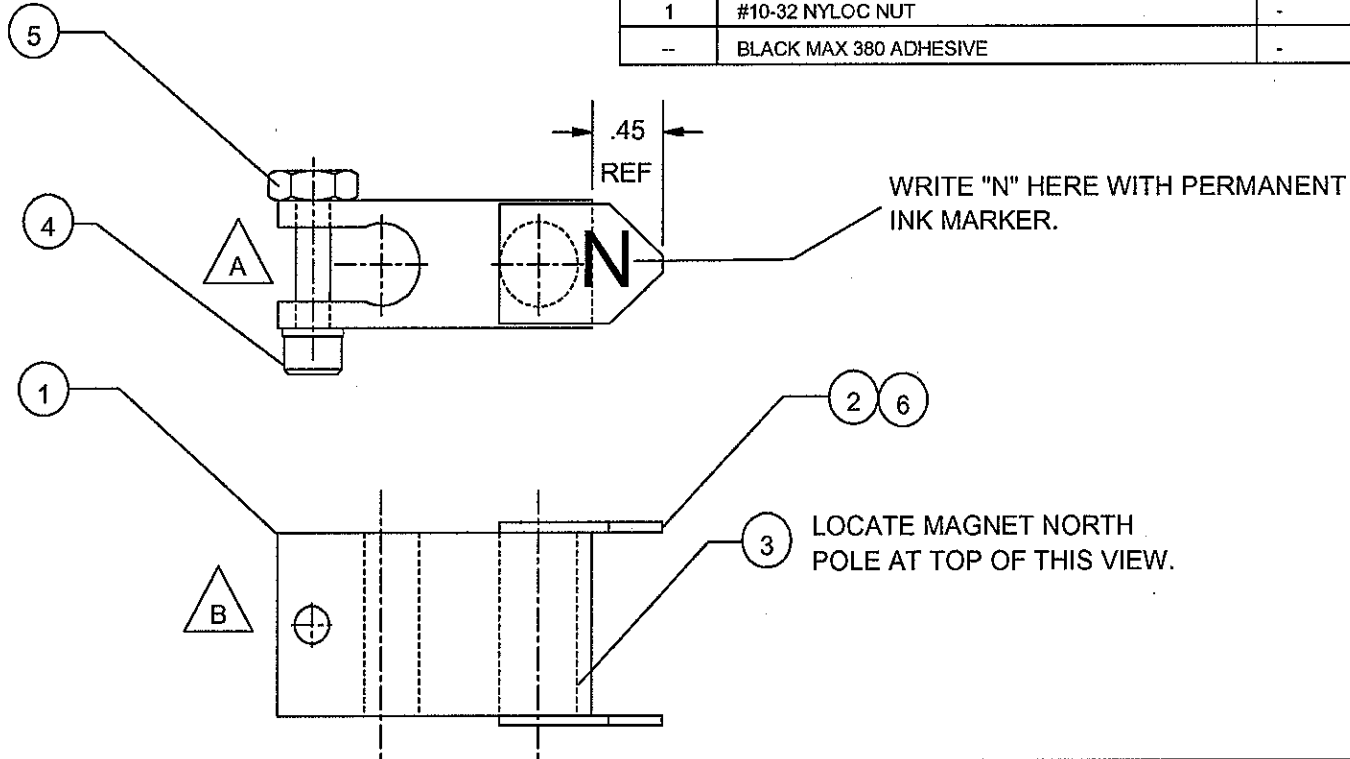
PROPRIETARY
 GBC PRO-TECH CLAIMS PROPRIETARY RIGHTS TO THE
 MATERIAL DISCLOSED ON THIS DRAWING. IT IS ISSUED IN CONFIDENCE
 FOR ENGINEERING INFORMATION ONLY AND SHALL NOT BE REPRODUCED,
 COPIED OR DISCLOSED IN WHOLE OR IN PART, OR USED FOR
 MANUFACTURE OR FOR ANY OTHER PURPOSE WITHOUT WRITTEN
 PERMISSION FROM GBC PRO-TECH



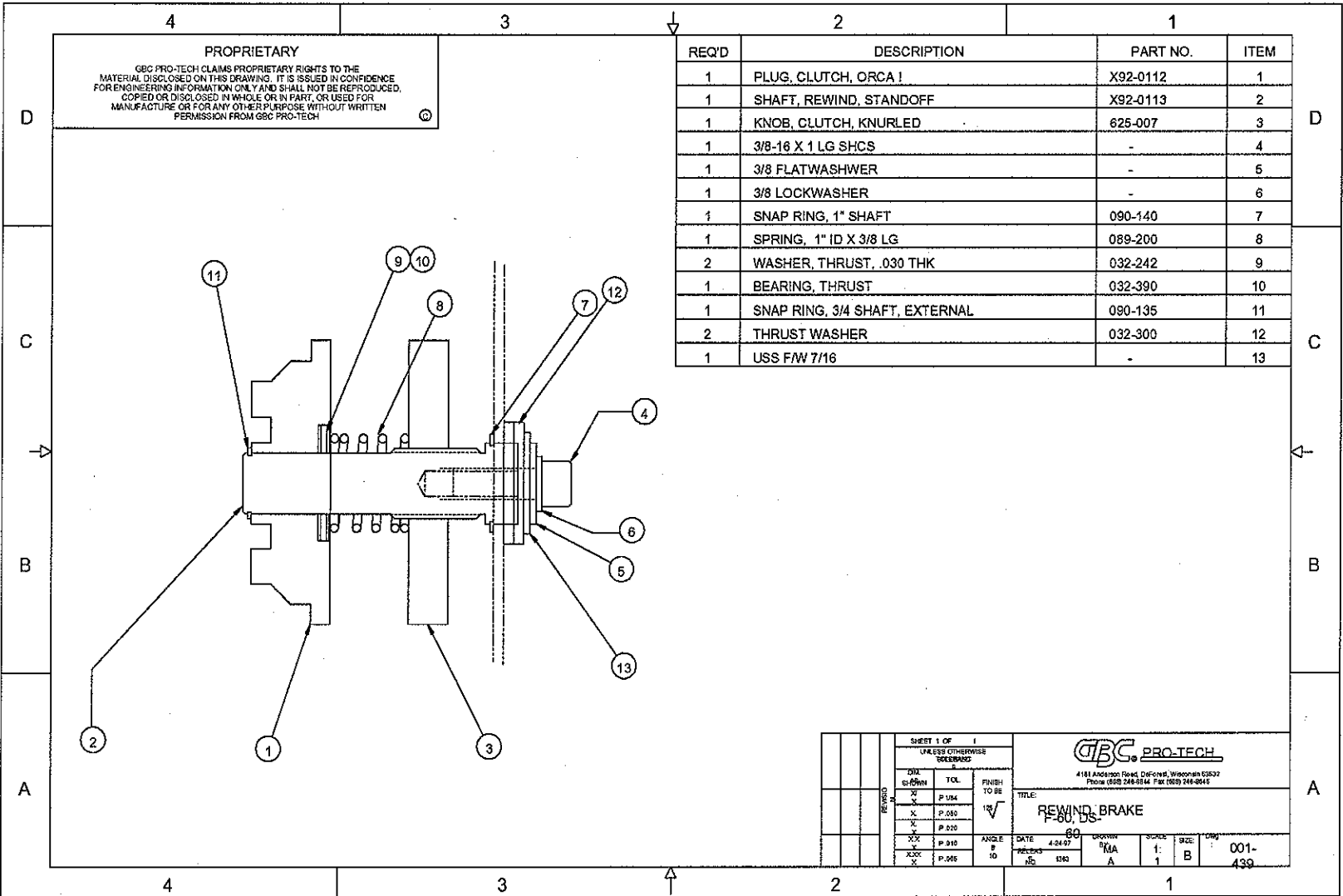
REVISION 9082 AJH 6-5-97 A	SHEET 1 OF 1		 4151 Anderson Road, DeForest, Wisconsin 53532 Phone (608) 246-8844 Fax (608) 246-8645			
	UNLESS OTHERWISE SPECIFIED TOLERANCE					
	DIM. AS SHOWN	TOL.	FINISH TO BE	FORCE SENSOR ASSY		
	X/X	P .1/64	125√	F-60/DS-60		
	X	P .050		DATE: 4/22/07	DRAWN BY: AJH	SCALE: 1:2
X.X	P .020		RELEASE NO. 1345			Dwg: 001-435
X.XX	P .010	ANGLES P 1D				
X.XXX	P .005					

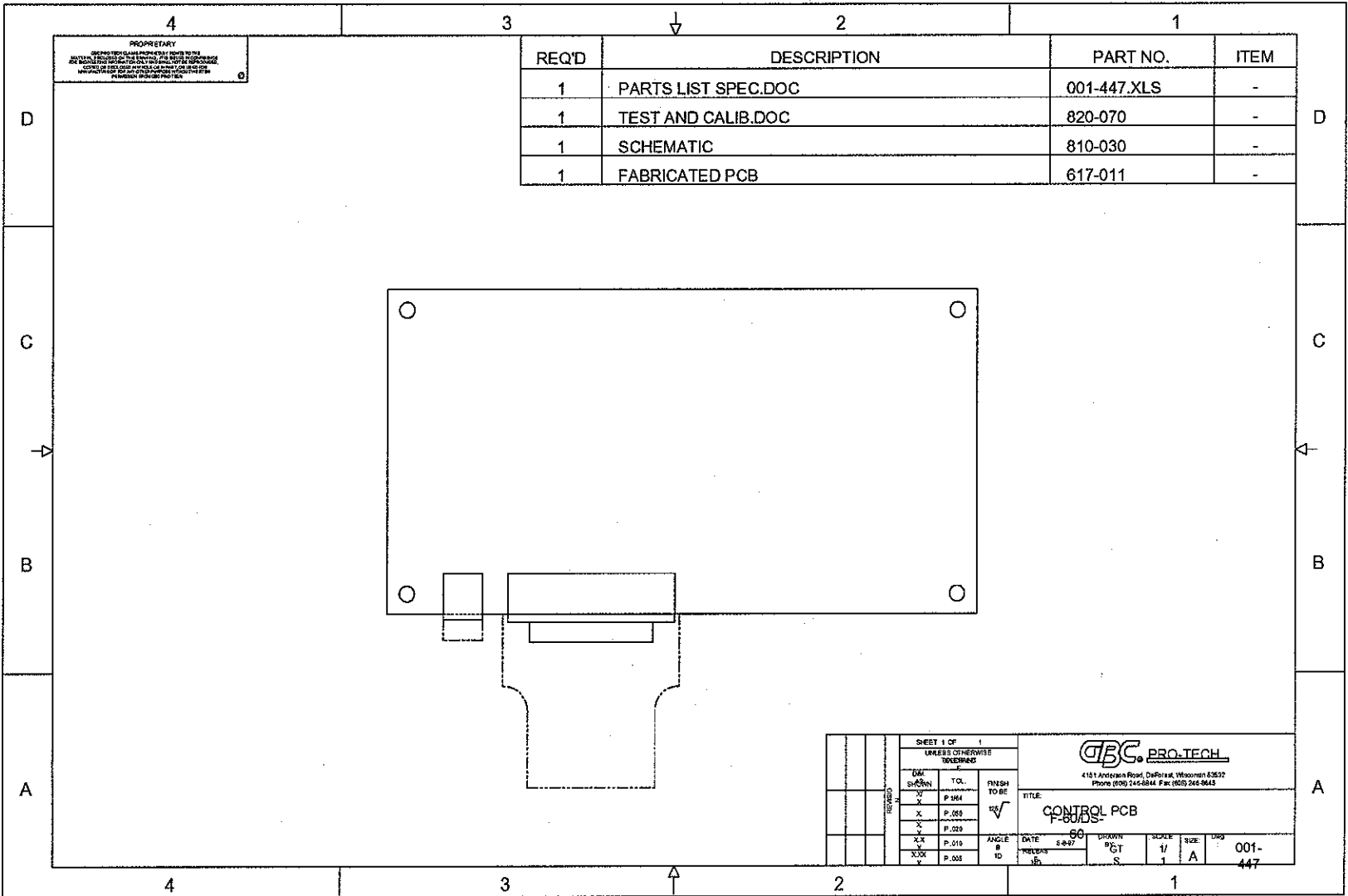
REQ'D	DESCRIPTION	PART NO.	ITEM
1	BRACKET, HALL SENSOR	510-226	1
2	PLATE	672-020	2
1	MAGNET	475-701	3
1	#10-32 SHCS	-	4
1	#10-32 NYLOC NUT	-	5
--	BLACK MAX 380 ADHESIVE	-	6

PROPRIETARY
 GBC PRO-TECH CLAIMS PROPRIETARY RIGHTS TO THE MATERIAL DISCLOSED ON THIS DRAWING. IT IS ISSUED IN CONFIDENCE FOR ENGINEERING INFORMATION ONLY AND SHALL NOT BE REPRODUCED, COPIED OR DISCLOSED IN WHOLE OR IN PART, OR USED FOR MANUFACTURE OR FOR ANY OTHER PURPOSE WITHOUT WRITTEN PERMISSION FROM GBC PRO-TECH




SHEET 1 OF 1		UNLESS OTHERWISE SPECIFIED TOLERANCE		 4151 Anderson Road, DeForest, Wisconsin 53532 Phone (608) 246-8844 Fax (608) 246-8645	
DIM. AS SHOWN	TOL.	FINISH TO BE	TITLE:		
XX	P .1/64		ASSY, MAGNET/FORCE SENSOR		
X	P .050	125√	F-60/DS-60		
XX	P .020		DATE: 4-22-97	DRAWN BY: AJH	SCALE: 1/1
XXX	P .010	ANGLES P 1D	RELEASE NO: 1404	Dwg: 001-437	
XXXX	P .005				

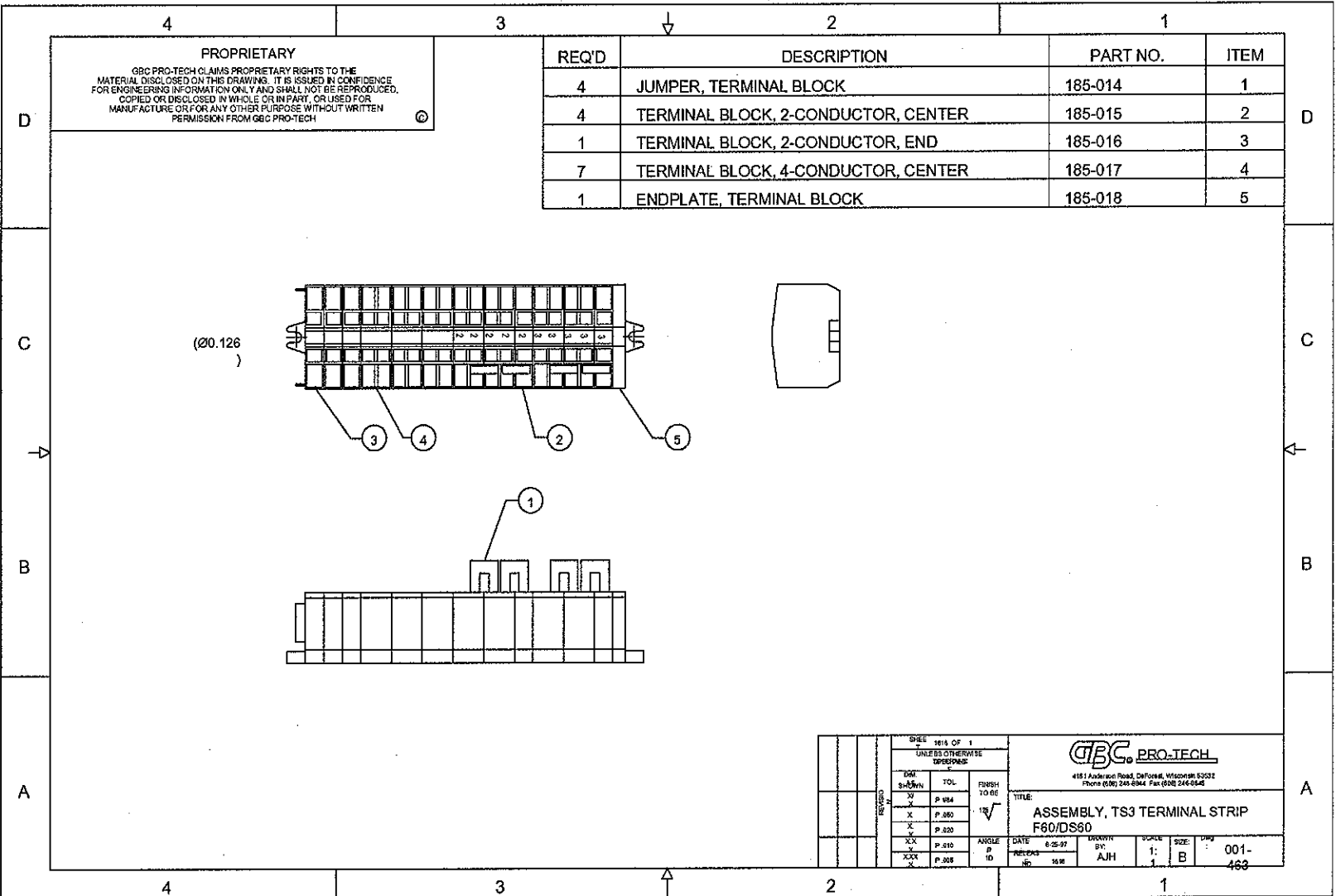




REQ'D	DESCRIPTION	PART NO.	ITEM
1	FUSE, 250V, 20 AMP, CERAMIC	186-135	1
3	FUSE, 3 AMP	186-200	2
1	MANUAL	930-004	3
1	BOX	475-010	4
1	TOWEL	475-950	5
1	ZIPPY KNIFE	475-620	6
1	MASKING TAPE	475-000	7
1	RUBBER CEMENT PICKUP	930320	8
1	ALLEN WRENCH SET	475-230	9
4	MOUNT, MACHINE, ZSW-IV	470-101	10
1	STRAIN RELIEF, MAIN POWER	175-201	11
2	O-RINGS, POLYURETHANE	480 - 005	12

PROPRIETARY
 GBC PRO-TECH CLAIMS PROPRIETARY RIGHTS TO THE MATERIAL DISCLOSED ON THIS DRAWING. IT IS ISSUED IN CONFIDENCE FOR ENGINEERING INFORMATION ONLY AND SHALL NOT BE REPRODUCED, COPIED OR DISCLOSED IN WHOLE OR IN PART, OR USED FOR MANUFACTURE OR FOR ANY OTHER PURPOSE WITHOUT WRITTEN PERMISSION FROM GBC PRO-TECH.

SHEET 1 OF 1		 4151 Anderson Road, DeForest, Wisconsin 53532 Phone (608) 246-8844 Fax (608) 246-8645	
UNLESS OTHERWISE SPECIFIED TOLERANCE			
DIM. AS SHOWN	TOL.	FINISH TO BE	TITLE: ACCESSORY KIT, F-60
XX	P .164	125√	
X	P .050		
XX	P .020		
XXX	P .010	ANGLES P 1D	
X.XXX	P .005		
REVISION 030 267-6 HJV A		DATE: 5-1-97 RELEASE NO: 1408	DRAWN BY: AJH SCALE: 1/1 SIZE: A Dwg: 001-452



PROPRIETARY
 GBC PRO-TECH CLAIMS PROPRIETARY RIGHTS TO THE MATERIAL DISCLOSED ON THIS DRAWING. IT IS ISSUED IN CONFIDENCE FOR ENGINEERING INFORMATION ONLY AND SHALL NOT BE REPRODUCED, COPIED OR DISCLOSED IN WHOLE OR IN PART, OR USED FOR MANUFACTURE OR FOR ANY OTHER PURPOSE WITHOUT WRITTEN PERMISSION FROM GBC PRO-TECH

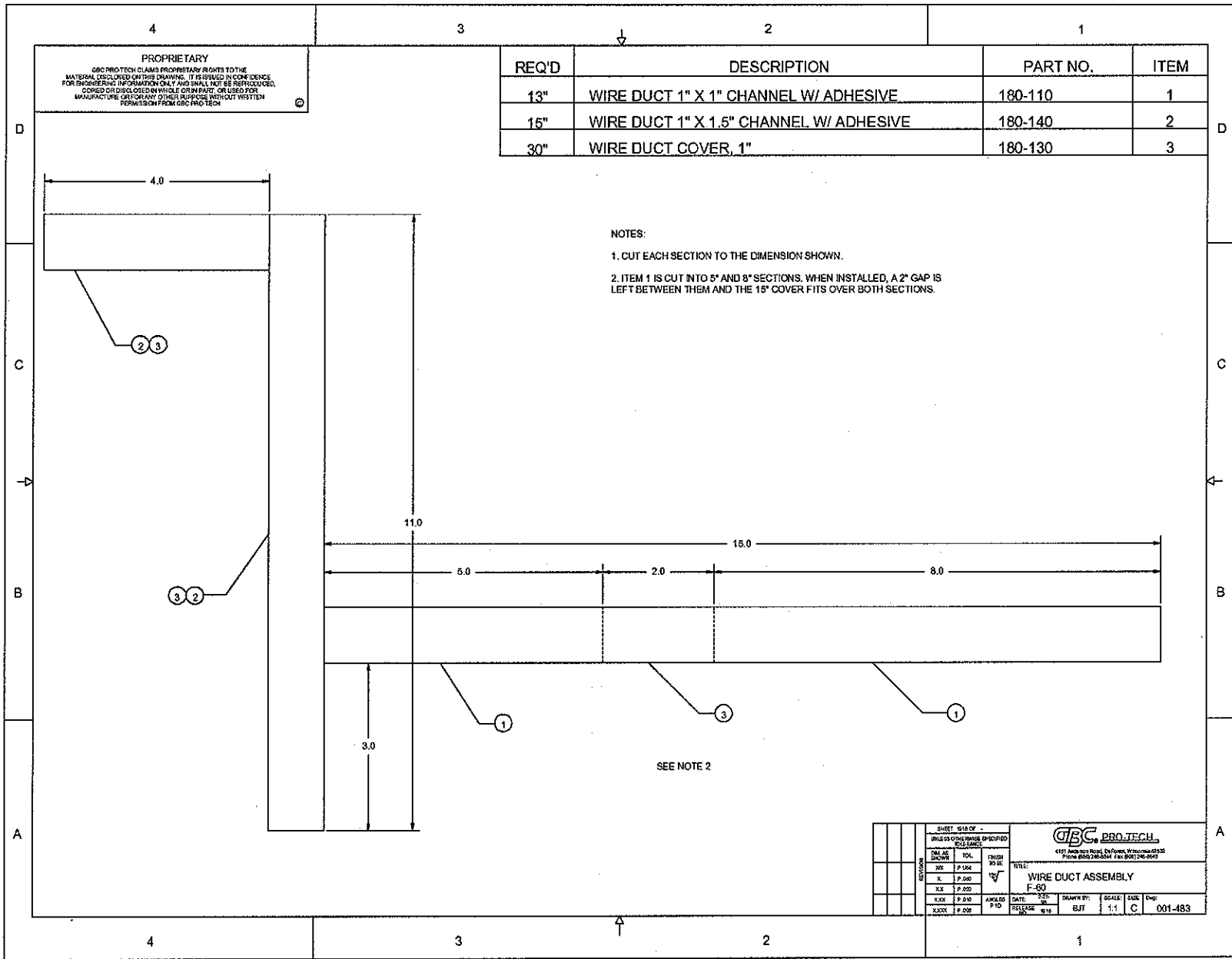
REQ'D	DESCRIPTION	PART NO.	ITEM
4	JUMPER, TERMINAL BLOCK	185-014	1
4	TERMINAL BLOCK, 2-CONDUCTOR, CENTER	185-015	2
1	TERMINAL BLOCK, 2-CONDUCTOR, END	185-016	3
7	TERMINAL BLOCK, 4-CONDUCTOR, CENTER	185-017	4
1	ENDPLATE, TERMINAL BLOCK	185-018	5

SHEET 1614 OF 1		UNLESS OTHERWISE SPECIFIED	
DATE	TOL.	FINISH	TO BE
✓	P. 184	✓	✓
✓	P. 280	✓	✓
✓	P. 220	✓	✓
✓	P. 210	✓	✓
✓	P. 208	✓	✓
ANGLE	DATE	DRAWN BY	SCALE
P	6-25-97	AJH	1:1
ID	PREPARED BY	SIZE	DRY
		B	001-463




4181 Anderson Road, DeForest, Wisconsin 53522
 Phone (262) 245-8844 Fax (262) 246-8846

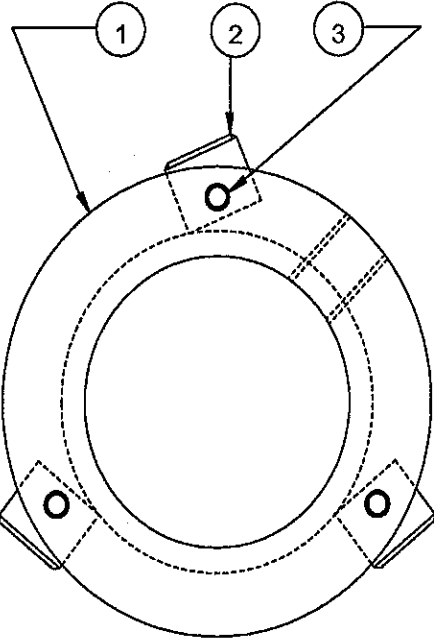
ASSEMBLY, TS3 TERMINAL STRIP F60/DS60

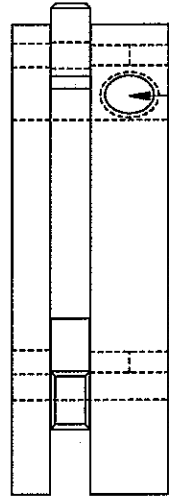


SHEET 518 OF 518		UNLESS OTHERWISE SPECIFIED		GBC PRO TECH	
DATE AC		TOLER		4311 Anderson Road, DuPont, Wisconsin 53122	
REV		P. 1524		Phone (800) 266-3314 Fax (907) 246-9977	
X		P. 050		TITLE: WIRE DUCT ASSEMBLY	
XX		P. 052		F-60	
XXX		P. 010		DRAWN BY: BJT	
XXXX		P. 008		SCALE: 1:1	
		ANGLED		DATE: 01/18	
		FID		CHECK: C	
				Dwg: 001-483	


<p style="text-align: center; font-size: small;">PROPRIETARY GBC PRO-TECH CLAIMS PROPRIETARY RIGHTS TO THE MATERIAL DISCLOSED ON THIS DRAWING. IT IS ISSUED IN CONFIDENCE FOR ENGINEERING INFORMATION ONLY AND SHALL NOT BE REPRODUCED, COPIED OR ENCLOSED IN WHOLE OR IN PART, OR USED FOR MANUFACTURE OR FOR ANY OTHER PURPOSE WITHOUT WRITTEN PERMISSION FROM GBC PRO-TECH</p>		<table border="1" style="width: 100%; border-collapse: collapse;"> <thead> <tr> <th style="width: 10%;">REQ'D</th> <th style="width: 50%;">DESCRIPTION</th> <th style="width: 20%;">PART NO.</th> <th style="width: 20%;">ITEM</th> </tr> </thead> <tbody> <tr> <td style="text-align: center;">1</td> <td>CHUCK,CORE</td> <td style="text-align: center;">530-023</td> <td style="text-align: center;">1</td> </tr> <tr> <td style="text-align: center;">3</td> <td>BLOCK,PIVOT</td> <td style="text-align: center;">501-036</td> <td style="text-align: center;">2</td> </tr> <tr> <td style="text-align: center;">3</td> <td>PIN,DOWEL, 1/8 DIA X 3/4</td> <td style="text-align: center;">095-102</td> <td style="text-align: center;">3</td> </tr> <tr> <td style="text-align: center;">1</td> <td>SET SCREW,BRASS,3/8-16 X 3/8</td> <td style="text-align: center;">050-022</td> <td style="text-align: center;">4</td> </tr> </tbody> </table>	REQ'D	DESCRIPTION	PART NO.	ITEM	1	CHUCK,CORE	530-023	1	3	BLOCK,PIVOT	501-036	2	3	PIN,DOWEL, 1/8 DIA X 3/4	095-102	3	1	SET SCREW,BRASS,3/8-16 X 3/8	050-022	4
REQ'D	DESCRIPTION	PART NO.	ITEM																			
1	CHUCK,CORE	530-023	1																			
3	BLOCK,PIVOT	501-036	2																			
3	PIN,DOWEL, 1/8 DIA X 3/4	095-102	3																			
1	SET SCREW,BRASS,3/8-16 X 3/8	050-022	4																			

NOTE:
ITEM 2 MUST PIVOT FREELY



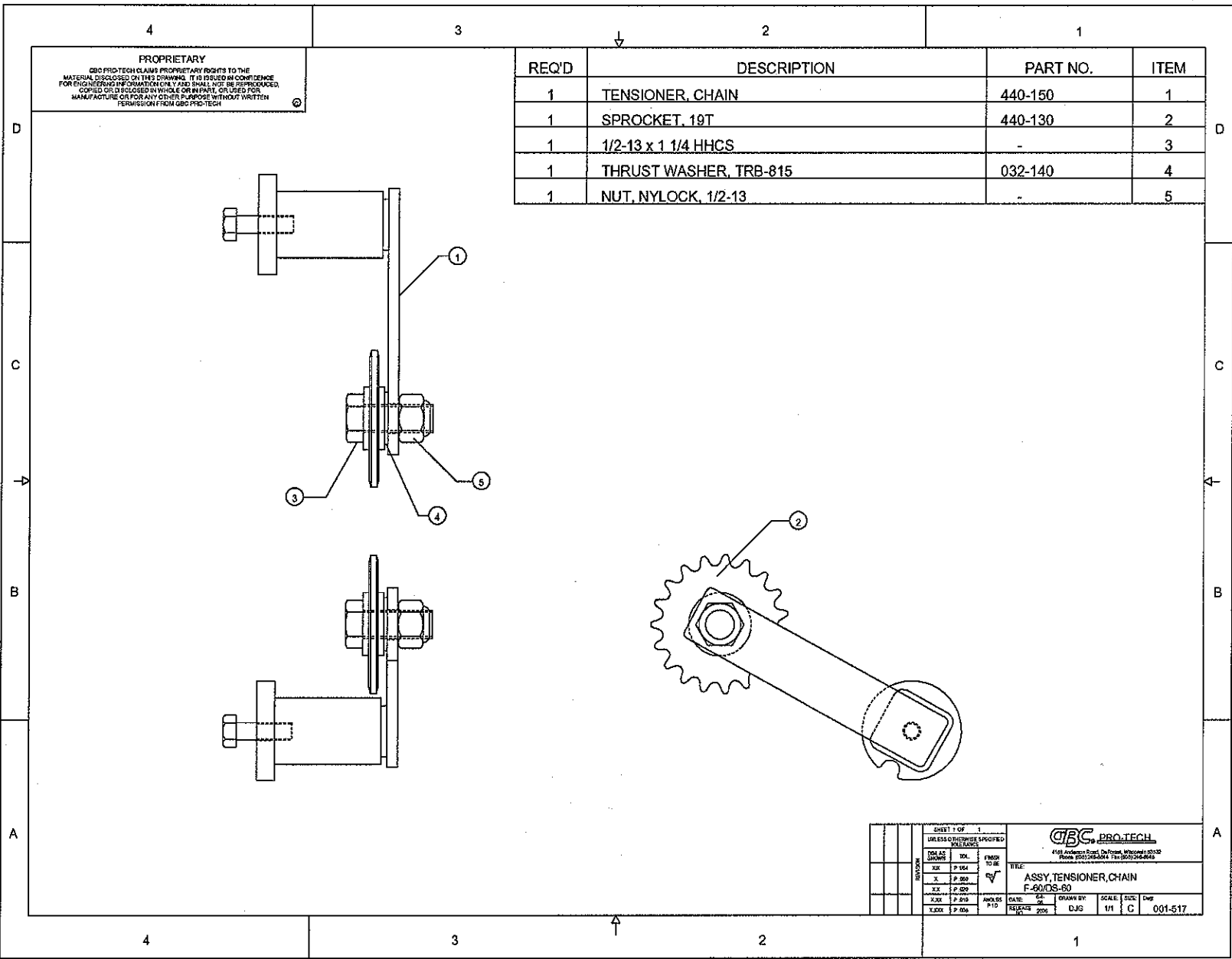


4
LIGHT COAT
OF DOW 44

SHEET 1 OF 1				UNLESS OTHERWISE SPECIFIED TOLERANCE				 4151 Anderson Road, DeForest, Wisconsin 53532 Phone (608) 246-8844 Fax (608) 246-8645			
REVISION	DIM. AS SHOWN	TOL.	FINISH TO BE	TITLE: ASSY,CORE CHUCK, QUICK RELEASE							
	XX	P 1/64	125√								
	X.	P .050									
	X.X	P .020									
	X.XX	P .010	ANGLES P 1D								
	X.XXX	P .005		DATE: 4/17/98	DRAWN BY: AJH	SCALE: 1/1	SIZE: A	Dwg: 001-510			
				RELEASE NO. 1981							

REQ'D	DESCRIPTION	PART NO.	ITEM
1	TENSIONER, CHAIN	440-150	1
1	SPROCKET, 19T	440-130	2
1	1/2-13 x 1 1/4 HHCS	-	3
1	THRUST WASHER, TRB-815	032-140	4
1	NUT, NYLOCK, 1/2-13	-	5

PROPRIETARY
 GBC PRO-TECH CLAIMS PROPRIETARY RIGHTS TO THE MATERIAL DISCLOSED ON THIS DRAWING. IT IS ISSUED IN CONFIDENCE FOR ENGINEERING INFORMATION ONLY AND SHALL NOT BE REPRODUCED, COPIED OR DISCLOSED IN WHOLE OR IN PART, OR USED FOR MANUFACTURE OR FOR ANY OTHER PURPOSE WITHOUT WRITTEN PERMISSION FROM GBC PRO-TECH

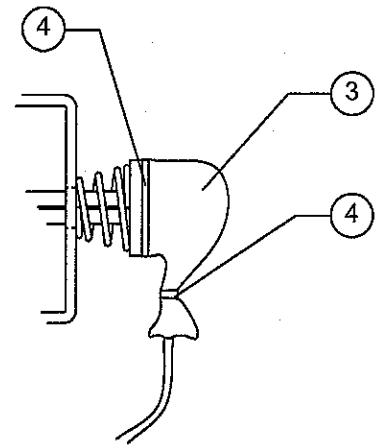
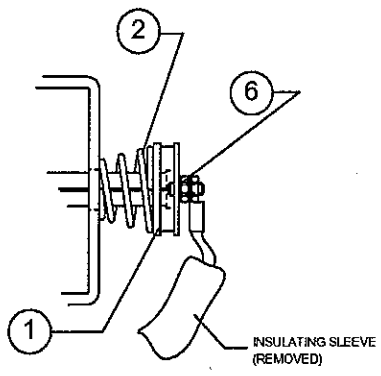


SHEET 1 OF 1		UNLESS OTHERWISE SPECIFIED		GBC PRO-TECH	
TOLERANCES		FINISH		418 Anderson Street, DuPont, Wisconsin 53120 Phone: 262/264-1414 Fax: 262/264-4414	
XX	F 1/64	✓	TO BE	TITLE	
X	F .001			ASSY, TENSIONER, CHAIN	
XX	F .010			F-60/OS-60	
XXX	F .015			DATE:	02
XXXX	F .006			ANALYS:	205
				DATE:	02
				RELEAS:	205
				DRAWN BY:	DJS
				SCALE:	1/1
				SIZE:	C
				DWG	001-517

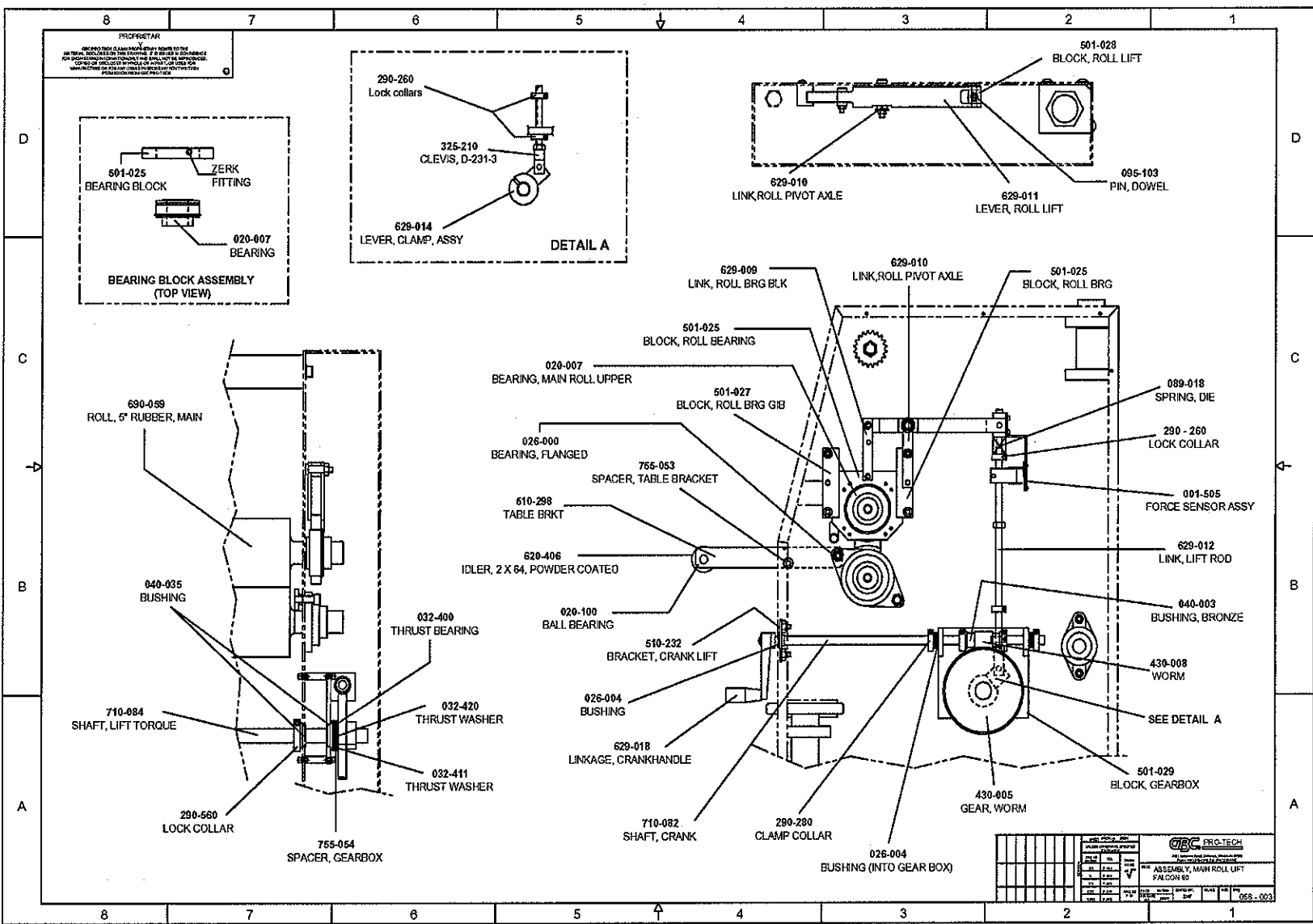
<p>PROPRIETARY <small>GBC PRO-TECH CLAIMS PROPRIETARY RIGHTS TO THE MATERIAL DISCLOSED ON THIS DRAWING. IT IS ISSUED IN CONFIDENCE FOR ENGINEERING INFORMATION ONLY AND SHALL NOT BE REPRODUCED, COPIED OR DISCLOSED IN WHOLE OR IN PART, OR USED FOR MANUFACTURE OR FOR ANY OTHER PURPOSE WITHOUT WRITTEN PERMISSION FROM GBC PRO-TECH.</small></p>	<p>33735</p>	<p>△ △ △ △ △</p>	
--	--------------	----------------------------------	--

NOTES:
 1. PARTS ARE SHIPPED LOOSE.

REQ'D	DESCRIPTION	PART NO.	ITEM
4	SPACER, HEATER SPRING	755-061	1
4	SPRING	089-022	2
-	SLEEVE, INSULATING	180-006	3
8	CABLE TIE, 8"	STOCK	4
1	INSTRUCTIONS, HEATER TENSION	820-063	5
4	#10 EXTERNAL LOCK WASHERS	-	6



REVISION A APR 7/20/98 3148	SHEET 1937 OF -			 4151 Anderson Road, DeForest, Wisconsin 53532 Phone (608) 246-8844 Fax (608) 246-8645			
	UNLESS OTHERWISE SPECIFIED TOLERANCE						
	DIM. AS SHOWN	TOL.	FINISH TO BE	KIT, HEATER TENSION F 60			
	XX	P 1/64	125√	DATE: 3-21-98 RELEASE NO: 1937			
	X	P .050					
X.X	P .020		SCALE: 1:1				
X.XX	P .010	ANGLES P 10	SIZE: A				
X.XXX	P .005		Dwg: 005-028				



GBC PRO-TECH	
REV	DESCRIPTION
1	ASSEMBLY, MAIN ROLL LIFT FALCON 60
2	
3	
4	
5	
6	
7	
8	
9	
10	


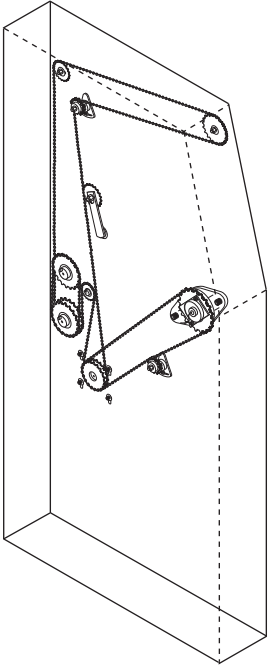


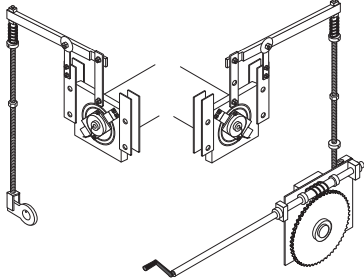
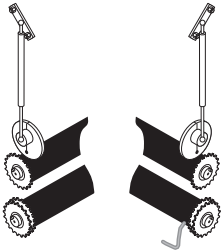
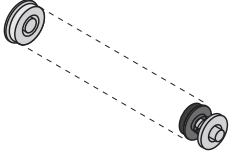


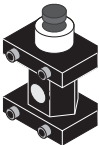
FALCON 60 Parts List



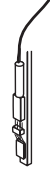
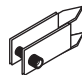
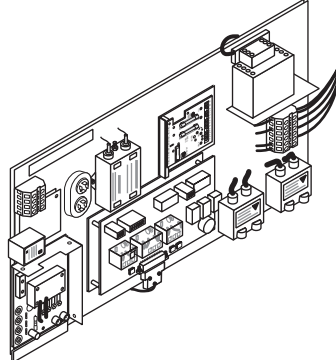

GBC IS AN ACCO BRANDS COMPANY

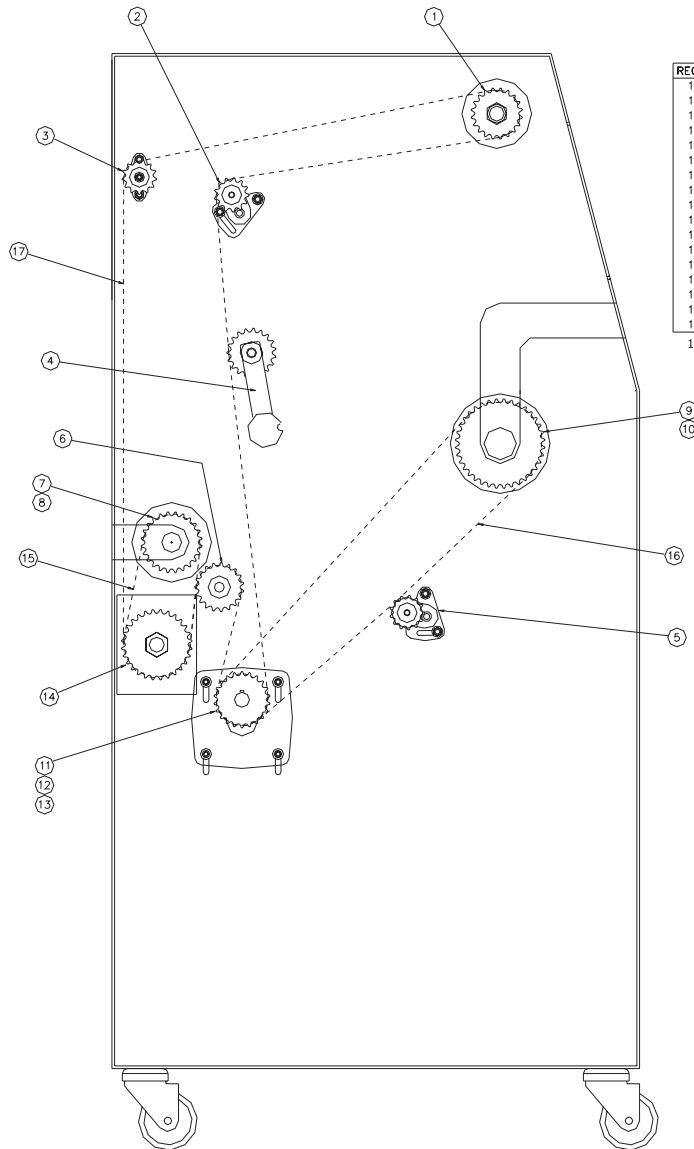


Section 9 : Illustrated Parts List

Part Name	Part Number
Accessory Pack <i>See page 3-5 for the list of included accessories.</i>	001-452
Safety Label Kit 	001-230
Drive Assembly 	Assembly on page 9-4.

<p>Main Roll Assembly</p> 	<p>Assembly on page 9-5.</p>
<p>Pull Roll Assembly</p> 	<p>Assembly on page 9-6.</p>
<p>Drive Rewind Assembly</p> 	<p>001-432 Assembly on page 9-7. Rewind tube 16 3/16 inches</p>
<p>Front Control Panel Assembly</p> 	<p>001-429 Assembly on page 9-8.</p>
<p>Rewind Brake Assembly</p> 	<p>001-439 Assembly on page 9-9.</p>
<p>Brake Assembly</p> 	<p>001-396 Assembly on page 9-10.</p>

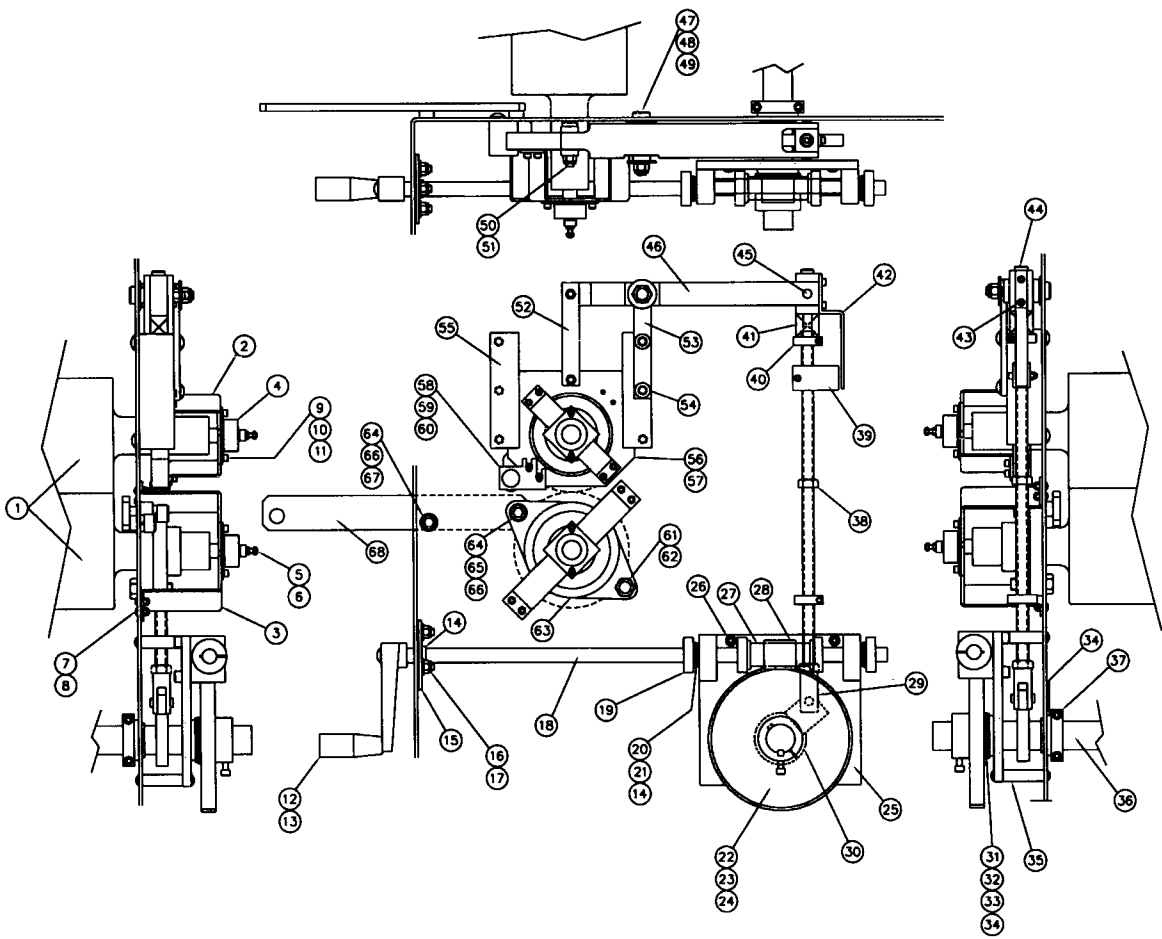
<p>Chain Tensioner Assembly</p> 	<p>001-426 Assembly on page 9-11.</p>
<p>Adjustable Idler Assembly</p> 	<p>001-428 Assembly on page 9-12.</p>
<p>Force Sensor Assembly</p> 	<p>001-435 Assembly on page 9-13.</p>
<p>Magnet/Force Sensor Assembly</p> 	<p>001-437 Assembly on page 9-14.</p>
<p>Electrical Panel Assembly</p> 	<p>001-444 Assembly on page 9-15.</p>
<p>Core Chuck Quick Release Assembly</p> 	<p>001-455 Assembly on page 9-16.</p>

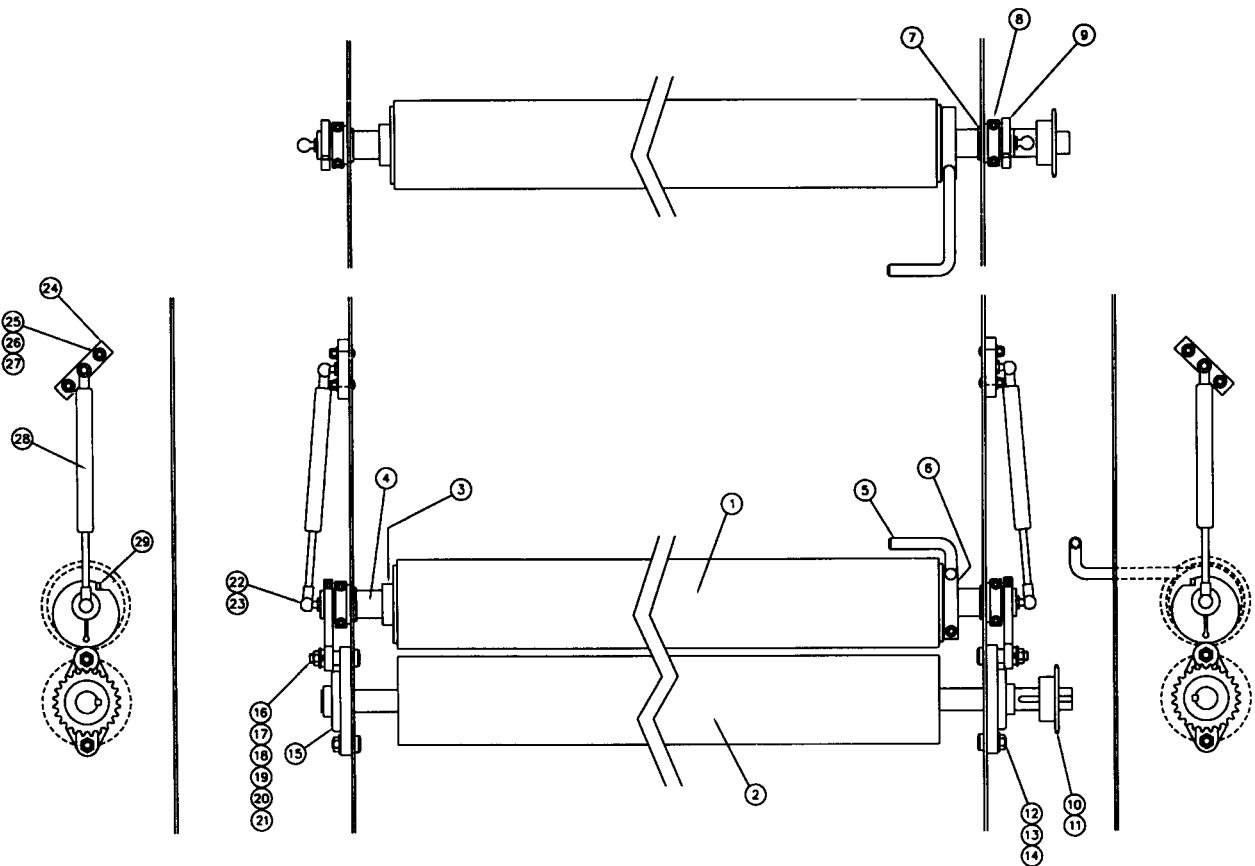


REQ'D	DESCRIPTION	PART NO.	ITEM
1	ASSEMBLY, REWIND, DRIVE	001-432	1
1	ASSEMBLY, SPRK, ADJ., UPPER	001-428	2
1	ASSEMBLY, SPRK, IDLER	001-027	3
1	ASSEMBLY, TENSIONER, CHAIN	001-426	4
1	ASSEMBLY, SPRK, ADJ., LOWER	001-456	5
1	SPROCKET, IDLER	440-130	6
1	SPROCKET, PULL ROLL	435-212	7
1	KEYSTOCK, 1/4 SQR. x 2	-	8
1	SPROCKET, MAIN ROLL	435-012	9
1	BUSHING, SPROCKET, 1-5/8	435-015	10
1	MOTOR	425-130	11
1	SPROCKET, MOTOR	750-006	12
1	KEYSTOCK, 3/16 SQR. x 1	-	13
1	CLUTCH	375-007	14
1	CHAIN, CLUTCH	400-009	15
1	CHAIN, DRIVE ROLL	400-007	16
1	CHAIN, REWIND	400-008	17

1 Masterlink, (for 400-009) 400-140

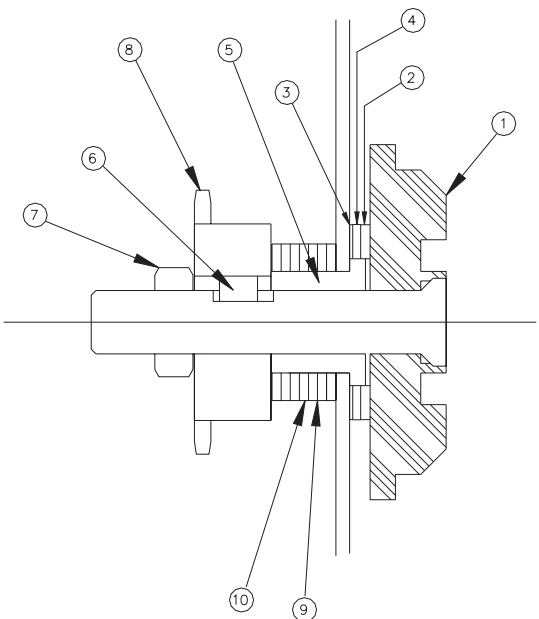
REQ'D	DESCRIPTION	PART NO.	ITEM
2	ROLL, MAIN	690-048	1
2	BRACKET, HEATER, UPPER	510-234	2
2	BRACKET, HEATER, LOWER	510-233	3
4	COVER, HEATER BRACKET	545-015	4
2	HEATER	189-026	5
4	SEAL, U-CUP, SILICONE	484-101	6
8	#10-32 x 1/2 BHCS	-	7
8	#10-32 NYLOCK NUT	-	8
8	#10-32 x 1/2 SHCS	-	9
8	#10 LOCK WASHER	-	10
8	#10 WASHER	-	11
1	HANDLE	629-018	12
1	3/8-16 x 3/4 BHCS	-	13
3	BUSHING, 5/8 I.D.	026-004	14
1	BRACKET, CRANK	510-232	15
3	5/16-18 NYLOCK NUT	-	16
6	5/16 FLAT WASHER	-	17
1	SHAFT, CRANK	710-082	18
4	LOCK COLLAR, 5/8	290-280	19
4	THRUST WASHER, 5/8 I.D.	032-160	20
2	THRUST BEARING, 5/8 I.D.	032-150	21
1	WORM GEAR	430-005	22
1	KEYSTOCK, 1/4 SQR. x 2	-	23
1	1/4-28 x 1 SHCS	-	24
1	GEAR BOX	501-029	25
8	1/4-20 x 1/2 BHCS	-	26
2	BUSHING	040-003	27
1	WORM	430-008	28
2	CLEVIS	325-210	29
2	CLAMP, LEVER	629-014	30
1	THRUST WASHER, 1-1/4 I.D.	032-420	31
1	THRUST BEARING, 1-1/4 I.D.	032-400	32
1	THRUST WASHER, 1-1/4 I.D.	032-010	33
3	BUSHING, 1-1/4 I.D.	040-035	34
2	SPACER, GEAR BOX	755-054	35
1	SHAFT, TORQUE	710-084	36
3	LOCK COLLAR, 1-1/4	290-560	37
2	ROD, LIFT	629-012	38
1	ASSEMBLY, MAGNET	001-437	39
2	LOCK COLLAR, 1/2-20	290-260	40
2	SPRING, DIE	089-018	41
1	ASSEMBLY, FORCE SENSOR	001-435	42
2	#10-32 x 3/8 SHCS	-	43
2	3/8 x 2-1/2 SHOULDER BOLT	-	44
4	PIN, DOWEL	095-103	45
2	LEVER, LIFT, ROLL	629-011	46
2	1/2 x 2 SHOULDER BOLT	-	47
2	7/16 FLAT WASHER	-	48
2	3/8-16 NYLOCK NUT	-	49
4	5/16 x 1-1/4 SHOULDER BOLT	-	50
4	1/4-20 NYLOCK NUT	-	51
4	LINKAGE, LIFT, ROLL	629-009	52
2	SUPPORT, PIVOT, ROLL	629-010	53
12	3/8-16 x 1/2 BHCS	-	54
4	WAY, BEARING BLOCK	501-027	55
2	BEARING BLOCK	501-025	56
2	BEARING, UPPER ROLL	026-007	57
2	BRACKET, PHOTO EYE	510-231	58
4	#10-32 x 1/2 SHCS	-	59
4	#10 EXT. LOCK WASHER	-	60
2	1/2-13 x 1-1/2 HHCS	-	61
2	1/2-13 NYLOCK NUT	-	62
2	BEARING, LOWER ROLL	026-000	63
4	1/2-13 x 1-1/2 SHCS	-	64
2	1/2 LOCK WASHER	-	65
4	SPACER	755-053	66
2	1/2-13 x 1 SHCS	-	67
2	BRACKET, TABLE	510-229	68





REQ'D	DESCRIPTION	PART NO.	ITEM
1	ROLL, PULL, UPPER	690-052	1
1	ROLL, PULL, LOWER	690-053	2
2	BEARING, PULL ROLL, UPPER	020-150	3
1	SHAFT, PULL ROLL	710-085	4
1	LEVER, LIFT, PULL ROLL	629-013	5
1	COLLAR, LIFT, PULL ROLL	290-700	6
2	BUSHING, PULL ROLL, UPPER	500-008	7
2	LOCK COLLAR	290-560	8
2	ECCENTRIC	525-007	9
1	SPROCKET, PULL ROLL	435-212	10
1	KEYSTOCK, 1/4 SOR. x 2	-	11
2	1/2 x 1/2 SHOULDER BOLT	-	12
2	5/16 FLAT WASHER	-	13
2	3/8-16 NYLOCK NUT	-	14
2	BEARING, PULL ROLL, LOWER	500-007	15
2	1/2 x 1-3/8 SHOULDER BOLT	-	16
2	SPACER	755-053	17
2	BEARING, RADIAL	020-006	18
2	1/2 LOCK WASHER	-	19
2	5/16 FLAT WASHER	-	20
2	3/8-18 NYLOCK NUT	-	21
4	BALL, STUD	100-031	22
4	BALL, SOCKET	100-030	23
2	LEVER, SHOCK	629-015	24
4	1/4-20 x 1 SHCS	-	25
4	#12 FLAT WASHER	-	26
4	1/4-20 NYLOCK NUT	-	27
2	SPRING, GAS	089-012	28
2	#10-32 x 1-1/4 SHCS	-	29

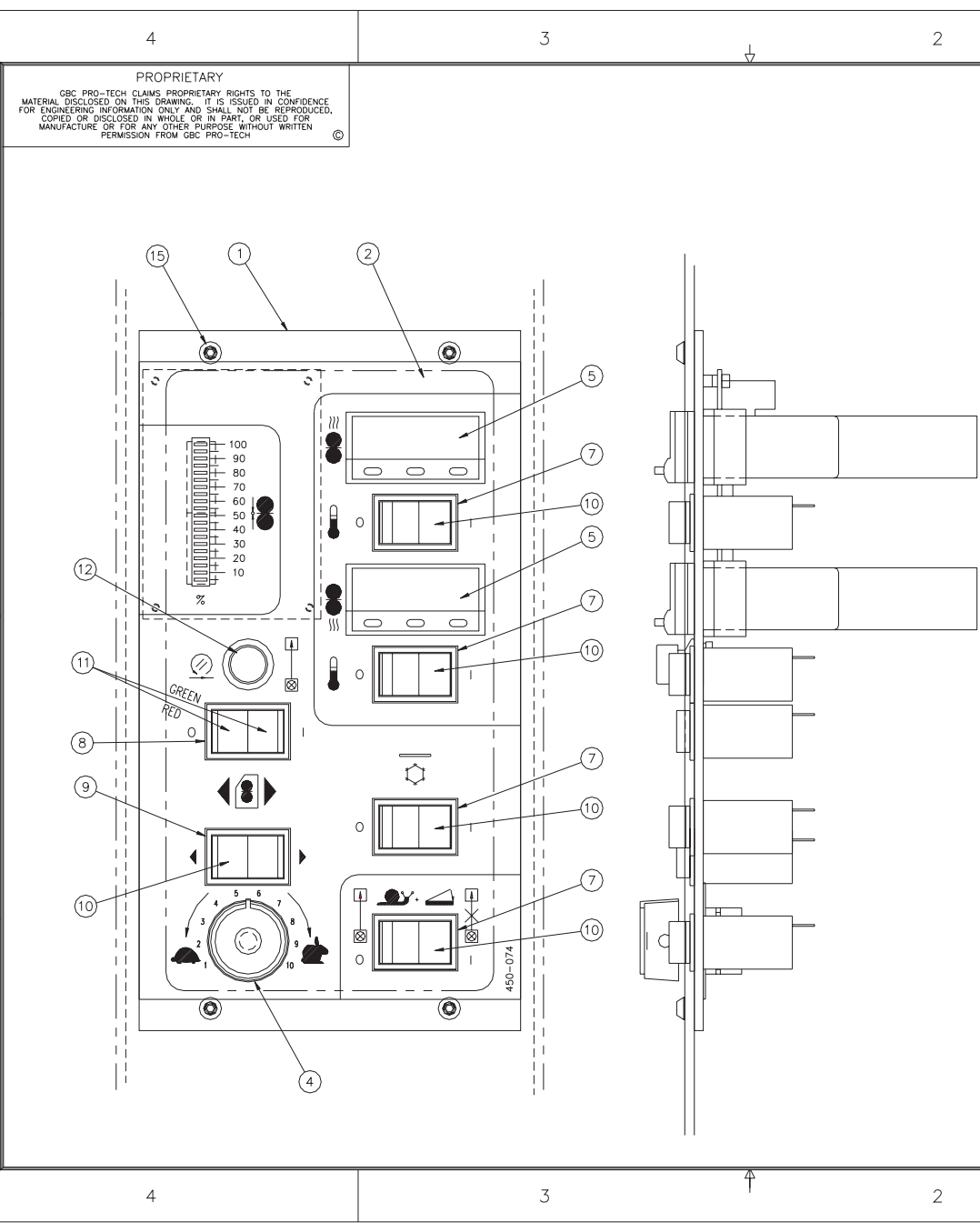
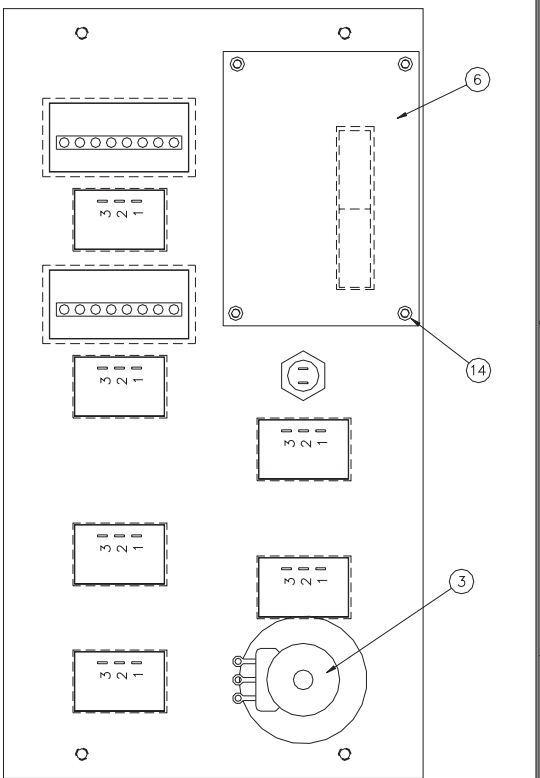
REQ'D	DESCRIPTION	PART NO.	ITEM
1	PLUG, CLUTCH DRIVE	001-261	1
1	WASHER, THRUST, .090 THK	032-420	2
1	WASHER, THRUST .030 THK	032-410	3
1	BEARING, THRUST	032-400	4
1	BUSHING, BOST-BRONZE	500-003	5
1	KEY, 1/4 X 1/4 X 3/8 LG	-	6
1	NYLOCK NUT, 5/8-11	-	7
1	SPROCKET, 35BS20x5/8	435-175	8
6	WASHER, THRUST, .090 THK	032-205	9
1	BEARING, THRUST	032-190	10



PROPRIETARY
 GBC PRO-TECH CLAIMS PROPRIETARY RIGHTS TO THE MATERIAL DISCLOSED ON THIS DRAWING. IT IS ISSUED IN CONFIDENCE FOR ENGINEERING INFORMATION ONLY AND SHALL NOT BE REPRODUCED, COPIED OR DISCLOSED IN WHOLE OR IN PART, OR USED FOR MANUFACTURE OR FOR ANY OTHER PURPOSE WITHOUT WRITTEN PERMISSION FROM GBC PRO-TECH ©

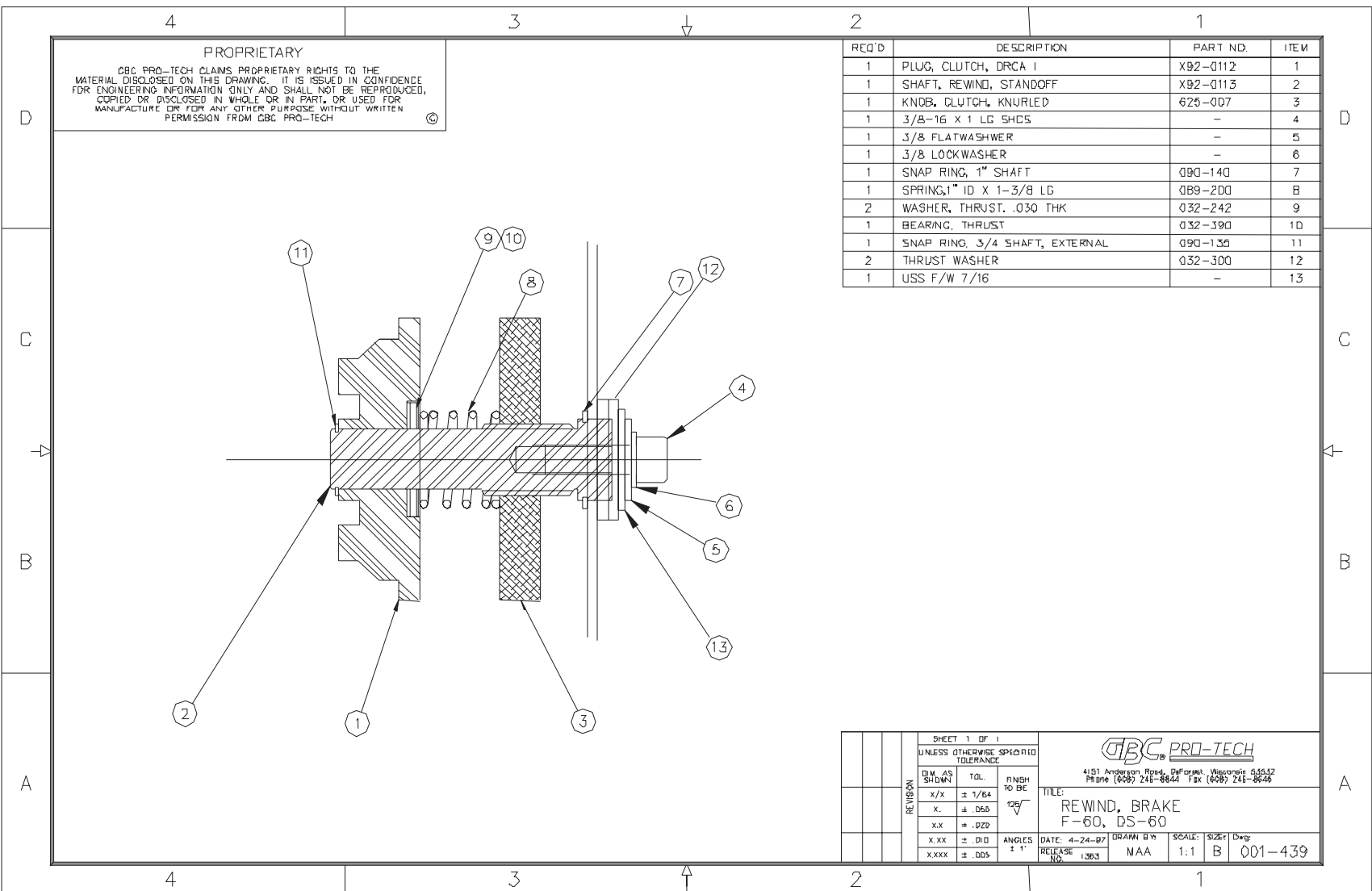
0986		SHEET 1 OF 1		UNLESS OTHERWISE SPECIFIED TOLERANCE		 4151 Anderson Road, DeForest, Wisconsin 53532 Phone (508) 246-8844 Fax (508) 246-8645	
RAS-94	0925	DIM. AS SHOWN					
10-51		X/X	± 1/64	125		TITLE: ASSY, REWIND, DRIVE F-60, DS-60 DATE: 4-23-97 RELEASE NO. 1362	
3-02-95		X.	± .050	± 1°			
		X.X	± .020				
B	A	X.XX	± .010			DRAWN BY: MAA	SCALE: 1:1
		X.XXX	± .005			SIZE: B	Dwg: 001-432

REQ'D	DESCRIPTION	PART NO.	ITEM
1	CONTROL PANEL	670-029	1
1	OVERLAY, CONTROL PANEL	450-074	2
1	POTENTIOMETER, MOTOR CONTROL	220-161	3
1	KNOB	465-031	4
2	TEMPERATURE CONTROL	230-007	5
1	ASSY, FORCE GAUGE PCB	001-374	6
4	SWITCH, ON-OFF/UP-DOWN ROCKER	214-270	7
1	SWITCH, AUTO/STOP ROCKER	214-290	8
1	SWITCH, DBL POLE MAINTAINED	214-010	9
5	COVER, ROCKER SWITCH, BLACK	214-296	10
1	COVER, ROCKER SWITCH, RED/GREEN	214-295	11
1	PUSH BUTTON	214-012	12
			13
4	SHCS #4-40 X 1/4	STK	14
4	BHSCS #8-32 X 1/4	STK	15



PROPRIETARY
 GBC PRO-TECH CLAIMS PROPRIETARY RIGHTS TO THE MATERIAL DISCLOSED ON THIS DRAWING. IT IS ISSUED IN CONFIDENCE FOR ENGINEERING INFORMATION ONLY AND SHALL NOT BE REPRODUCED, COPIED OR DISCLOSED IN WHOLE OR IN PART, OR USED FOR MANUFACTURE OR FOR ANY OTHER PURPOSE WITHOUT WRITTEN PERMISSION FROM GBC PRO-TECH ©

SHEET 1 OF 1		UNLESS OTHERWISE SPECIFIED	
REV. NO.	DATE	TOL.	FINISH TO BE
A	8-25-97	X/X ± 1/64	125
		X ± .050	
		XX ± .020	
		XXX ± .010	
		XXXX ± .005	
TITLE:		DATE: 4-30-97	
ASSEMBLY, CONTROL PANEL		DRAWN BY: GTS	
F-60		SCALE: 1/1	
RELEASE: 1444		SIZE: C	
		Dwg: 001-429	



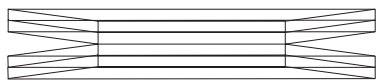
PROPRIETARY
 CBC PRO-TECH CLAIMS PROPRIETARY RIGHTS TO THE MATERIAL DISCLOSED ON THIS DRAWING. IT IS ISSUED IN CONFIDENCE FOR ENGINEERING INFORMATION ONLY AND SHALL NOT BE REPRODUCED, COPIED OR DISCLOSED IN WHOLE OR IN PART, OR USED FOR MANUFACTURE OR FOR ANY OTHER PURPOSE WITHOUT WRITTEN PERMISSION FROM CBC PRO-TECH ©

REQ'D	DESCRIPTION	PART NO.	ITEM
1	PLUG, CLUTCH, DRCA 1	X92-0112	1
1	SHAFT, REWIND, STANDOFF	X92-0113	2
1	KNDB, CLUTCH, KNURLED	625-007	3
1	3/8-16 X 1 LG SHCS	-	4
1	3/8 FLATWASHER	-	5
1	3/8 LOCKWASHER	-	6
1	SNAP RING, 1" SHAFT	090-140	7
1	SPRING, 1" ID X 1-3/8 LG	089-200	8
2	WASHER, THRUST. .030 THK	032-242	9
1	BEARING, THRUST	032-390	10
1	SNAP RING, 3/4 SHAFT, EXTERNAL	090-130	11
2	THRUST WASHER	032-300	12
1	USS F/W 7/16	-	13

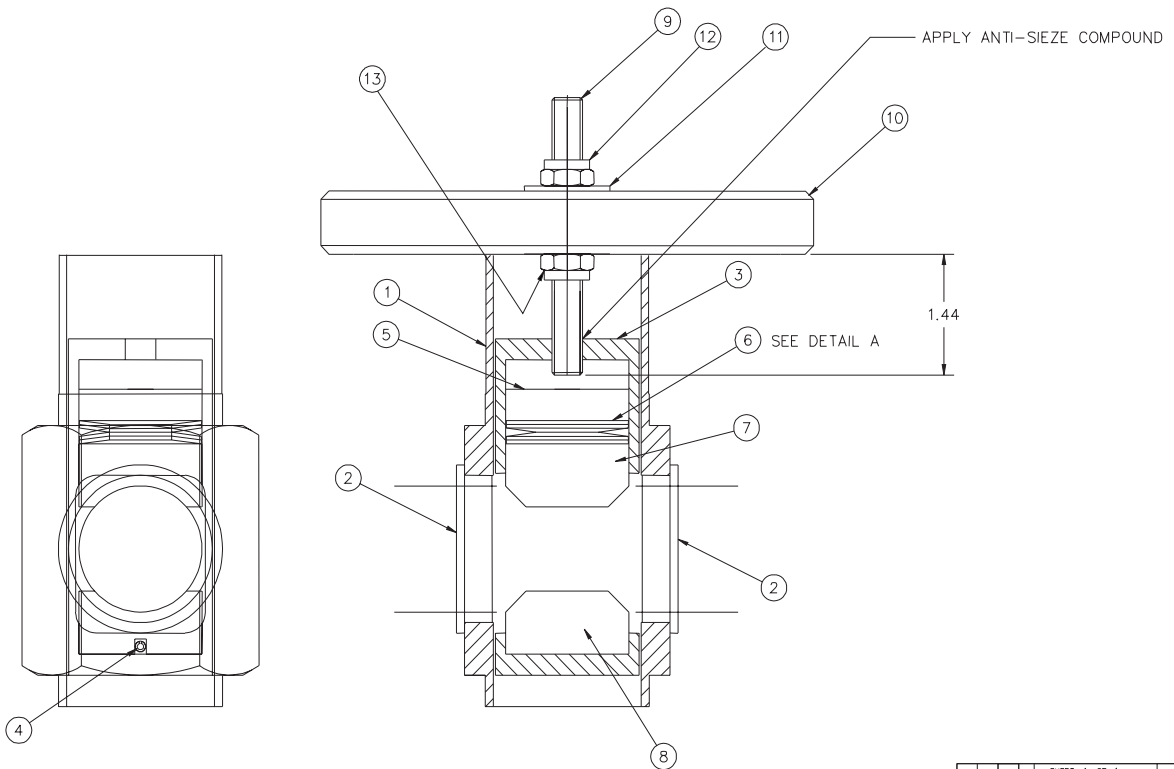
SHEET 1 OF 1			 4151 Anderson Road, DeForest, Wisconsin 53527 Phone (608) 248-8844 Fax (608) 248-8646				
UNLESS OTHERWISE SPECIFIED TOLERANCE:							
REVISION	DIM AS SHOWN	TOL.	FINISH TO BE	TITLE: REWIND, BRAKE F-60, DS-60			
	X/X	± 1/64			125		
	X.	± .060					
	X.X	± .020					
	X.XX	± .010				ANGLES	DATE: 4-24-97
X.XXX	± .005		RELEASE NO: 1.363				

PROPRIETARY
 GBC PRO-TECH CLAIMS PROPRIETARY RIGHTS TO THE MATERIAL DISCLOSED ON THIS DRAWING. IT IS ISSUED IN CONFIDENCE FOR ENGINEERING INFORMATION ONLY AND SHALL NOT BE REPRODUCED, COPIED OR DISCLOSED IN WHOLE OR IN PART, OR USED FOR MANUFACTURE OR FOR ANY OTHER PURPOSE WITHOUT WRITTEN PERMISSION FROM GBC PRO-TECH

REQ'D	DESCRIPTION		
1	PIN, PIVOT, UNWIND	625-008	1
2	BUSHING, FLANGE, NYLON	500-006	2
1	HOUSING, BRAKE	625-022	3
1	ROLL PIN, 1/8 X 1-3/4	095-105	4
1	PISTON, BRAKE	625-019	5
4	SPRING, DISC, 3/4 X 1-1/2	089-009	6
1	PAD, BRAKE, TOP	625-020	7
1	PAD, BRAKE, BOTTOM	625-021	8
1	STUD	645-024	9
1	UNWIND DIAL	625-018	10
1	3/8 WASHER	STK	11
1	3/8 NYLOC NUT	STK	12
1	3/8 NUT	STK	13



DETAIL A
 DISC SPRING ORIENTATION
 3X SCALE



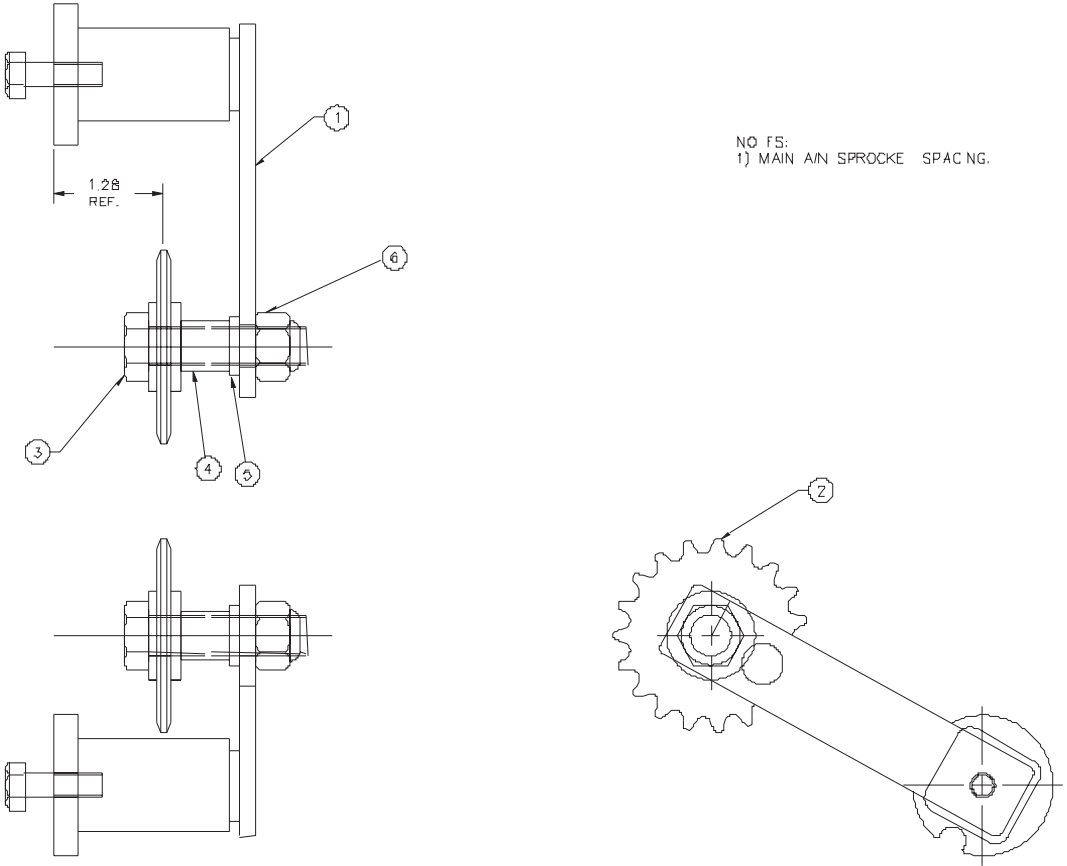
SHEET 1 OF 1		UNLESS OTHERWISE SPECIFIED TOLERANCE		FINISH TO BE	
DIM.	AS SHOWN	TOL.			
X/N	± 1/64			125	
X	± .050				
X.X	± .020				
X.XX	± .010	ANGLES	± 1'		
X.XXX	± .005	RELEASE NO.	1231		

GBC PRO-TECH		4151 Anderson Road, DeForest, Wisconsin 53532 Phone (608) 246-8844 Fax (608) 246-8645	
TITLE: ASSEMBLY, BRAKE DS-60, F-60			
DATE: 2-24-97	DRAWN BY: AJH	SCALE: 1/1	SIZE: C
001-396			

1	TENSIONER CHAIN	440-150	1
1	SPROCKET, 19T	440-130	2
1	1/2-13 X 2 HHCS	-	3
1	SPACER, 5/8 O.D., 5/8 L.G.	-	4
1	SPACER, 1/2 I.D. X 3/4 O.D. X .125 THICK	D6B-100	5
1	NUT, NYLOCK, 1/2-13	-	6

△
△
△
△

NO FS:
1) MAIN AIN SPROCKE SPAC NG.



SHEET 1 OF 1		UNLESS OTHERWISE SPECIFIED	
DIM. AS SHOWN		TOL.	FINISH TO BE
XX	± .004		125/
X	± .030		
XXI	± .005		
XXII	± .005		
DATE: 4/22/87		SCALE: 1/1	SIZE: C
DRAWN BY: MAA		RELIEF: 1:48	Sup: 001-426

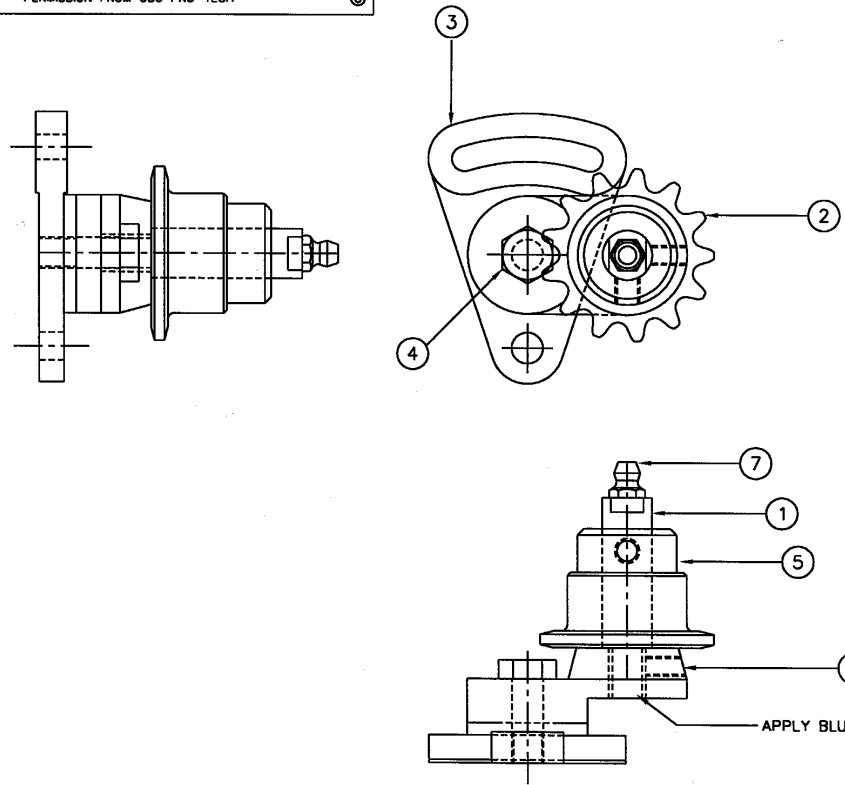
GBC PRO-TECH

4151 Anderson Road, Gulfport, Mississippi 38532
PHONE: (601) 244-3644 FAX: (601) 244-3649

TITLE:
ASSY. TENSIONER CHAIN
F-60/D5-60

REQ'D	DESCRIPTION	PART NO.	ITEM
1	SHFT,IDL.,5/SO1	440-110	1
1	SPRKT,35,13T.,5/35BS13F	440-125	2
1	IDLER BASE	440-002	3
1	HEX HEAD BOLT,5/16-18 X .875	-	4
1	SHAFT COLLAR	-	5
1	SET SCREW 10-32 X .25	-	6
1	GREASE ZERK	-	7

PROPRIETARY
 GBC PRO-TECH CLAIMS PROPRIETARY RIGHTS TO THE MATERIAL DISCLOSED ON THIS DRAWING. IT IS ISSUED IN CONFIDENCE FOR ENGINEERING INFORMATION ONLY AND SHALL NOT BE REPRODUCED, COPIED OR DISCLOSED IN WHOLE OR IN PART, OR USED FOR MANUFACTURE OR FOR ANY OTHER PURPOSE WITHOUT WRITTEN PERMISSION FROM GBC PRO-TECH ©

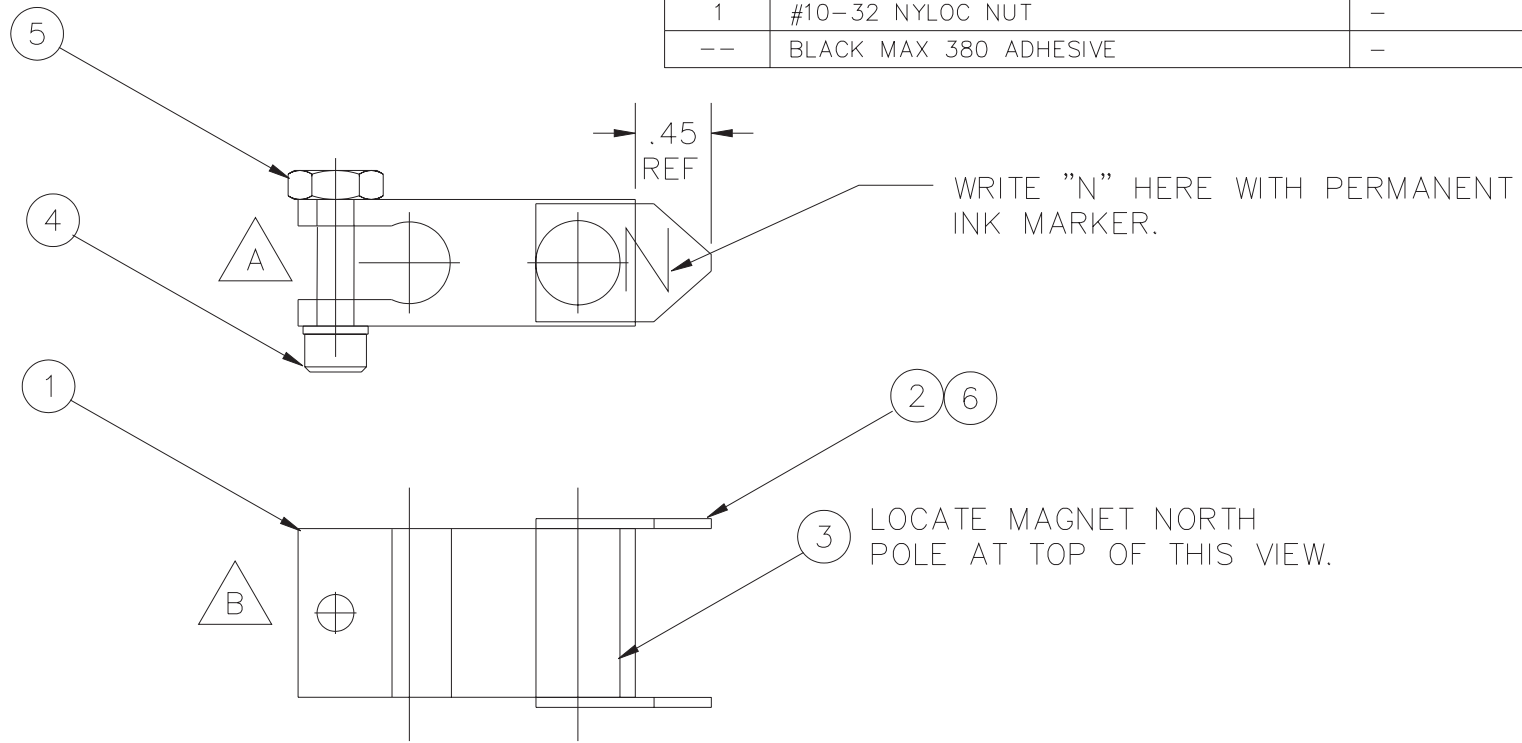


SHEET 1 OF 1		UNLESS OTHERWISE SPECIFIED TOLERANCE:			
FIN.	AS SHOWN	TOL.	FINISH TO BE	4151 Anderson Road, DeForest, Wisconsin 53532 Phone (608) 246-8044 Fax (608) 246-8645	
X/X		± 1/64	125	TITLE: ASSEMBLY, IDLER, ADJUSTABLE CHAIN F-60, DS-60	
X		± .050		DATE: 4-22-87	DRAWN BY: MAA
X.X		± .020		SCALE: 1/1	SIZE: B
X.XX		± .010	ANGLES ± 1°	DATE: 4-22-87	Dwg: 001-428
X.XXX		± .005		RELEASE NO: 1361	

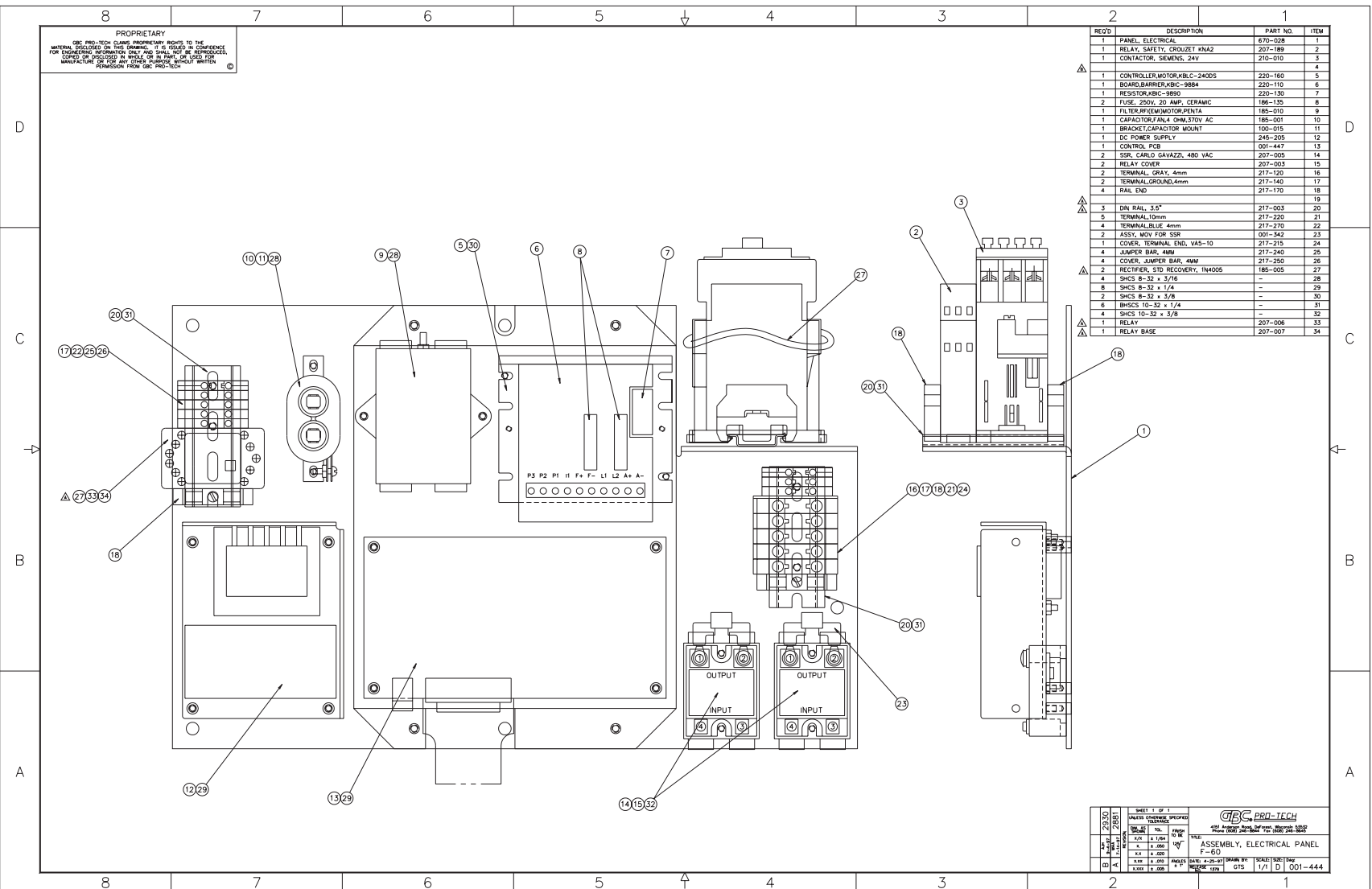
<p style="text-align: center; font-weight: bold;">PROPRIETARY</p> <p style="font-size: 8px;">GBC PRO-TECH CLAIMS PROPRIETARY RIGHTS TO THE MATERIAL DISCLOSED ON THIS DRAWING. IT IS ISSUED IN CONFIDENCE FOR ENGINEERING INFORMATION ONLY AND SHALL NOT BE REPRODUCED, COPIED OR DISCLOSED IN WHOLE OR IN PART, OR USED FOR MANUFACTURE OR FOR ANY OTHER PURPOSE WITHOUT WRITTEN PERMISSION FROM GBC PRO-TECH</p>	<table border="1" style="width: 100%; border-collapse: collapse;"> <thead> <tr> <th style="width: 10%;">REQ'D</th> <th style="width: 60%;">DESCRIPTION</th> <th style="width: 15%;">PART NO.</th> <th style="width: 15%;">ITEM</th> </tr> </thead> <tbody> <tr> <td style="text-align: center;">1</td> <td>GUIDE BRACKET</td> <td>595-007</td> <td style="text-align: center;">1</td> </tr> <tr> <td style="text-align: center;">1</td> <td>TRANSDUCER ASSY</td> <td>001-356</td> <td style="text-align: center;">2</td> </tr> <tr> <td style="text-align: center;">2</td> <td>#4-40 x 1/8 BHSCS</td> <td>STK</td> <td style="text-align: center;">3</td> </tr> </tbody> </table>	REQ'D	DESCRIPTION	PART NO.	ITEM	1	GUIDE BRACKET	595-007	1	1	TRANSDUCER ASSY	001-356	2	2	#4-40 x 1/8 BHSCS	STK	3															
REQ'D	DESCRIPTION	PART NO.	ITEM																													
1	GUIDE BRACKET	595-007	1																													
1	TRANSDUCER ASSY	001-356	2																													
2	#4-40 x 1/8 BHSCS	STK	3																													
	<table border="1" style="width: 100%; border-collapse: collapse;"> <tr> <td style="text-align: center;">2806</td> </tr> <tr> <td style="text-align: center;">AJH 6-5-97</td> </tr> <tr> <td style="text-align: center;">A</td> </tr> </table>	2806	AJH 6-5-97	A	<p>REVISION</p>	<p>SHEET 1 OF 1</p> <p>UNLESS OTHERWISE SPECIFIED TOLERANCE</p> <table border="1" style="width: 100%; border-collapse: collapse;"> <thead> <tr> <th style="width: 30%;">DIM. AS SHOWN</th> <th style="width: 30%;">TOL.</th> <th style="width: 40%;">FINISH TO BE</th> </tr> </thead> <tbody> <tr> <td style="text-align: center;">X/X</td> <td style="text-align: center;">± 1/64</td> <td rowspan="3" style="text-align: center; vertical-align: middle;">125√</td> </tr> <tr> <td style="text-align: center;">X.</td> <td style="text-align: center;">± .050</td> </tr> <tr> <td style="text-align: center;">X.X</td> <td style="text-align: center;">± .020</td> </tr> <tr> <td style="text-align: center;">X.XX</td> <td style="text-align: center;">± .010</td> <td rowspan="2" style="text-align: center; vertical-align: middle;">ANGLES ± 1°</td> </tr> <tr> <td style="text-align: center;">X.XXX</td> <td style="text-align: center;">± .005</td> </tr> </tbody> </table>	DIM. AS SHOWN	TOL.	FINISH TO BE	X/X	± 1/64	125√	X.	± .050	X.X	± .020	X.XX	± .010	ANGLES ± 1°	X.XXX	± .005	<div style="text-align: right;"> </div> <p style="font-size: 8px; text-align: right;">4151 Anderson Road, DeForest, Wisconsin 53532 Phone (608) 246-8844 Fax (608) 246-8645</p> <p style="text-align: center;">TITLE: FORCE SENSOR ASSY F-60/DS-60</p> <table border="1" style="width: 100%; border-collapse: collapse;"> <tr> <td style="width: 15%;">DATE: 4/22/97</td> <td style="width: 15%;">DRAWN BY: AJH</td> <td style="width: 10%;">SCALE: 1:2</td> <td style="width: 10%;">SIZE: A</td> <td style="width: 50%;">Dwg: 001-435</td> </tr> <tr> <td>RELEASE NO. 1345</td> <td></td> <td></td> <td></td> <td></td> </tr> </table>	DATE: 4/22/97	DRAWN BY: AJH	SCALE: 1:2	SIZE: A	Dwg: 001-435	RELEASE NO. 1345				
2806																																
AJH 6-5-97																																
A																																
DIM. AS SHOWN	TOL.	FINISH TO BE																														
X/X	± 1/64	125√																														
X.	± .050																															
X.X	± .020																															
X.XX	± .010	ANGLES ± 1°																														
X.XXX	± .005																															
DATE: 4/22/97	DRAWN BY: AJH	SCALE: 1:2	SIZE: A	Dwg: 001-435																												
RELEASE NO. 1345																																

REQ'D	DESCRIPTION	PART NO.	ITEM
1	BRACKET, HALL SENSOR	510-226	1
2	PLATE	672-020	2
1	MAGNET	475-701	3
1	#10-32 SHCS	-	4
1	#10-32 NYLOC NUT	-	5
--	BLACK MAX 380 ADHESIVE	-	6

PROPRIETARY
 GBC PRO-TECH CLAIMS PROPRIETARY RIGHTS TO THE MATERIAL DISCLOSED ON THIS DRAWING. IT IS ISSUED IN CONFIDENCE FOR ENGINEERING INFORMATION ONLY AND SHALL NOT BE REPRODUCED, COPIED OR DISCLOSED IN WHOLE OR IN PART, OR USED FOR MANUFACTURE OR FOR ANY OTHER PURPOSE WITHOUT WRITTEN PERMISSION FROM GBC PRO-TECH



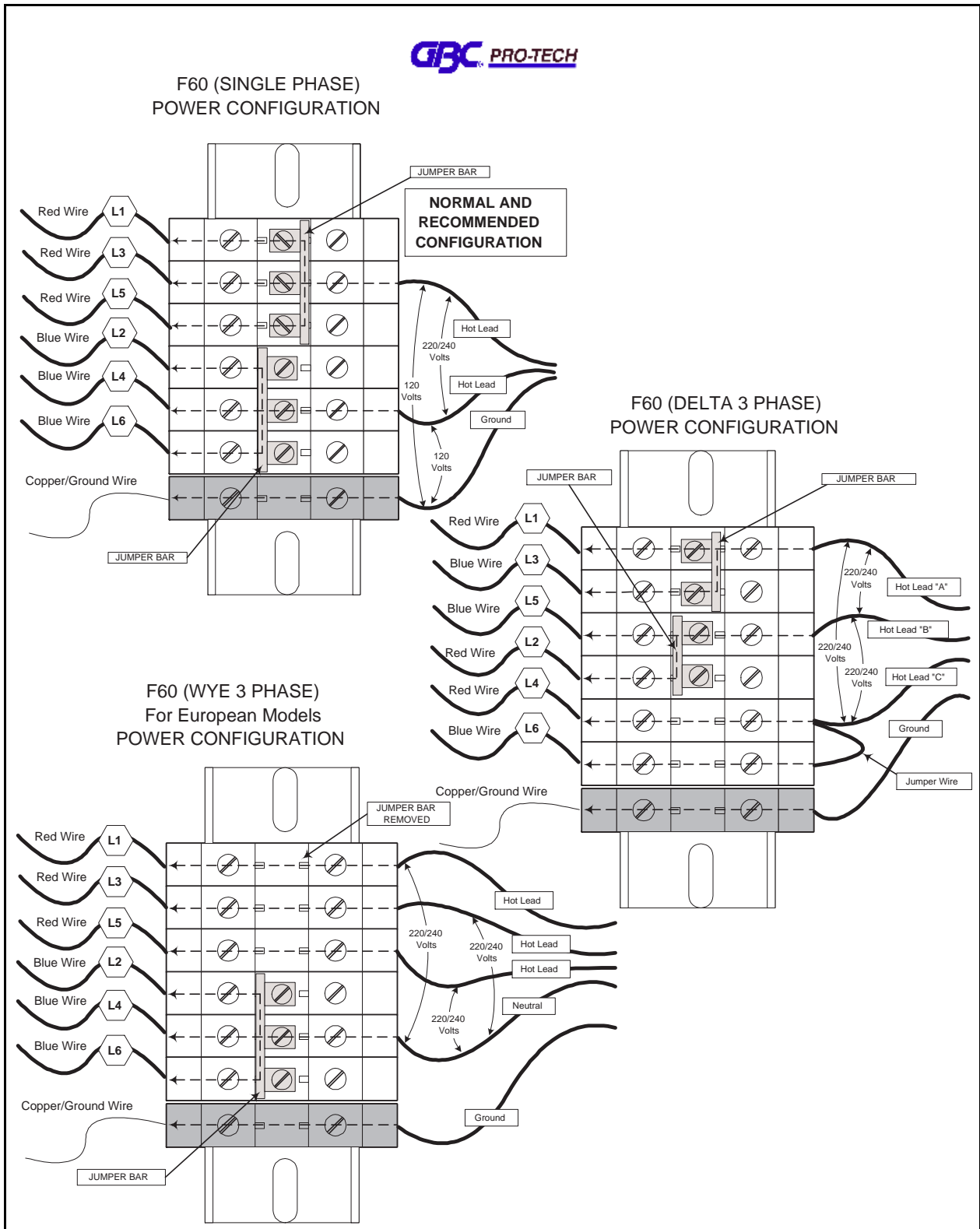
2799		2767		SHEET 1 OF 1		 4151 Anderson Road, DeForest, Wisconsin 53532 Phone (608) 246-8844 Fax (608) 246-8645						
AJH	6-3-97	AJH	5-19-97	UNLESS OTHERWISE SPECIFIED TOLERANCE						TITLE: ASSY, MAGNET/FORCE SENSOR F-60/DS-60		
REVISION		REVISION		DIM. AS SHOWN	TOL.	FINISH TO BE		DATE: 4-22-97	DRAWN BY: AJH			
B	A			X/X	± 1/64	125√		RELEASE NO. 1404				
				X.	± .050							
				X.X	± .020							
				X.XX	± .010	ANGLES ± 1°						
				X.XXX	± .005							



REQ'D	DESCRIPTION	PART NO.	ITEM
1	PANEL, ELECTRICAL	670-028	1
1	RELAY, SAFETY, COULZET KNAZ	207-189	2
1	CONTACTOR, SIEMENS, 24V	210-010	3
1	CONTROLLER/MOTOR, XBC-C-240DS	220-160	5
1	BOARD, BARRIER, XBC-988A	220-110	6
1	RESISTOR, XBC-989D	220-130	7
2	FUSE, 250V, 20 AMP, CERAMIC	186-130	8
1	FILTER, RC, W/MOTOR, PENTA	186-010	9
1	CAPACITOR, FAN, 4 OHM, 370V AC	186-001	10
1	BRACKET, CAPACITOR MOUNT	100-015	11
1	DC POWER SUPPLY	240-200	12
1	CONTROL PCB	001-447	13
2	SSR, CARLO GAVAZZI, 480 VAC	207-005	14
2	RELAY COVER	207-003	15
2	TERMINAL, GRAY, 4mm	217-120	16
2	TERMINAL, GROUND, 4mm	217-140	17
4	RAIL END	217-170	18
3	DN, RAIL, 3.5"	217-003	20
5	TERMINAL, 10mm	217-220	21
4	TERMINAL, BLUE, 4mm	217-270	22
2	ASSY, MOV FOR SSR	001-342	23
1	COVER, TERMINAL END, VAS-10	217-215	24
4	JUMPER BAR, 4MM	217-240	25
4	COVER, JUMPER BAR, 4MM	217-250	26
2	RECTIFIER, STD RECOVERY, IN4005	186-005	27
4	SHCS 8-32 x 3/16	-	28
8	SHCS 8-32 x 1/4	-	29
2	SHCS 8-32 x 3/8	-	30
6	BNCS 10-32 x 1/4	-	31
4	SHCS 10-32 x 3/8	-	32
1	RELAY	207-006	33
1	RELAY BASE	207-007	34

SHEET 1 OF 1		GBC PRO-TECH	
PARTS CHECKED, SPECIFIED		ALL RIGHTS RESERVED. No part of this manual may be reproduced without written permission from GBC Pro-Tech.	
DATE	BY	DATE	BY
10/15/97	10/15/97	10/15/97	10/15/97
REV	BY	DATE	BY
1	10/15/97	10/15/97	10/15/97
2	10/15/97	10/15/97	10/15/97
3	10/15/97	10/15/97	10/15/97
4	10/15/97	10/15/97	10/15/97
5	10/15/97	10/15/97	10/15/97
6	10/15/97	10/15/97	10/15/97
7	10/15/97	10/15/97	10/15/97
8	10/15/97	10/15/97	10/15/97
9	10/15/97	10/15/97	10/15/97
10	10/15/97	10/15/97	10/15/97
11	10/15/97	10/15/97	10/15/97
12	10/15/97	10/15/97	10/15/97
13	10/15/97	10/15/97	10/15/97
14	10/15/97	10/15/97	10/15/97
15	10/15/97	10/15/97	10/15/97
16	10/15/97	10/15/97	10/15/97
17	10/15/97	10/15/97	10/15/97
18	10/15/97	10/15/97	10/15/97
19	10/15/97	10/15/97	10/15/97
20	10/15/97	10/15/97	10/15/97
21	10/15/97	10/15/97	10/15/97
22	10/15/97	10/15/97	10/15/97
23	10/15/97	10/15/97	10/15/97
24	10/15/97	10/15/97	10/15/97
25	10/15/97	10/15/97	10/15/97
26	10/15/97	10/15/97	10/15/97
27	10/15/97	10/15/97	10/15/97
28	10/15/97	10/15/97	10/15/97
29	10/15/97	10/15/97	10/15/97
30	10/15/97	10/15/97	10/15/97
31	10/15/97	10/15/97	10/15/97
32	10/15/97	10/15/97	10/15/97
33	10/15/97	10/15/97	10/15/97
34	10/15/97	10/15/97	10/15/97

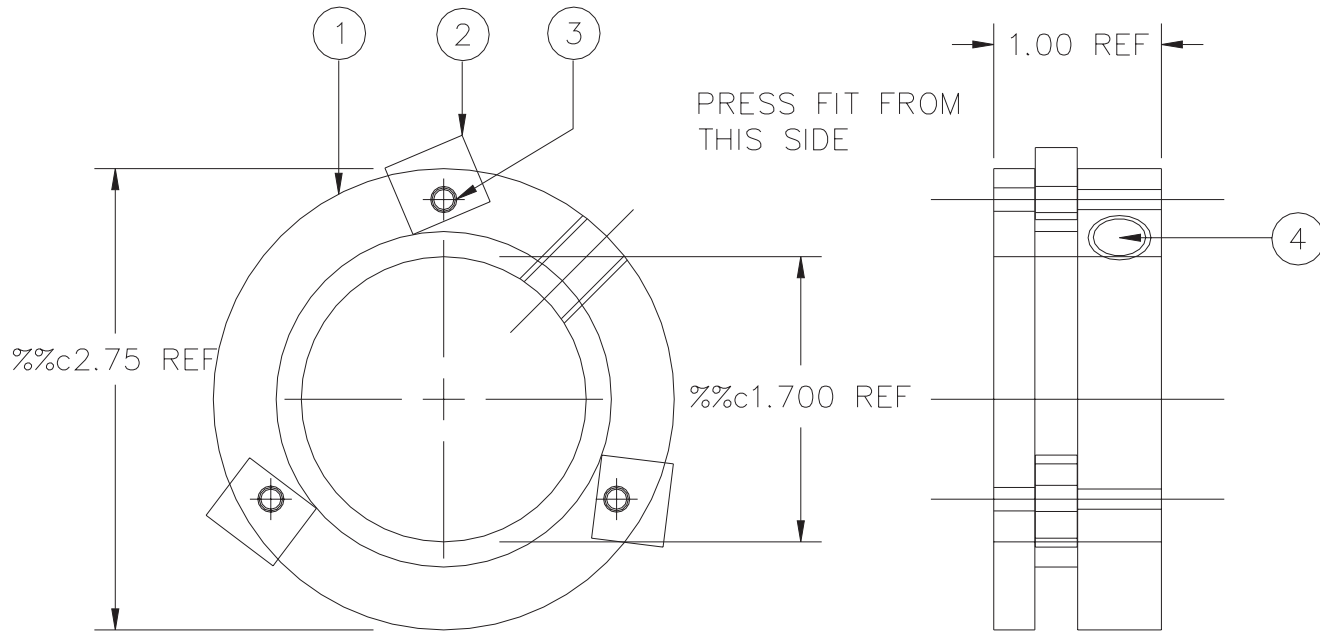
PROPRIETARY
GBC PRO-TECH CLAIMS PROPRIETARY RIGHTS TO THE MATERIAL CONTAINED ON THIS DRAWING. IT IS FORWARDED IN CONFIDENCE FOR ENGINEERING INFORMATION ONLY AND SHALL NOT BE REPRODUCED, COPIED OR DISCLOSED IN WHOLE OR IN PART, OR USED FOR MANUFACTURE OR FOR ANY OTHER PURPOSE WITHOUT WRITTEN PERMISSION FROM GBC PRO-TECH.



PROPRIETARY
 GBC PRO-TECH CLAIMS PROPRIETARY RIGHTS TO THE MATERIAL DISCLOSED ON THIS DRAWING. IT IS ISSUED IN CONFIDENCE FOR ENGINEERING INFORMATION ONLY AND SHALL NOT BE REPRODUCED, COPIED OR DISCLOSED IN WHOLE OR IN PART, OR USED FOR MANUFACTURE OR FOR ANY OTHER PURPOSE WITHOUT WRITTEN PERMISSION FROM GBC PRO-TECH

REQ'D	DESCRIPTION	PART NO.	ITEM
1	CHUCK,CORE	530-023	1
3	BLOCK,PIVOT	501-026	2
3	PIN,DOWEL,1/8 DIA X 3/4	095-102	3
1	SET SCREW,BRASS,3/8-16 X 3/8	050-022	1

NOTE:
 ITEM 2 MUST PIVOT FREELY



SHEET 1 OF 1			 4151 Anderson Road, DeForest, Wisconsin 53532 Phone (608) 246-8844 Fax (608) 246-8645				
UNLESS OTHERWISE SPECIFIED TOLERANCE							
REVISION	DIM. AS SHOWN	TOL.	FINISH TO BE	TITLE: ASSY,CORE CHUCK, QUICK RELEASE			
	X/X	± 1/64	125√				
	X.	± .050					
	X.X	± .020					
	X.XX	± .010	ANGLES ± 1°	DATE: 5/21/97	DRAWN BY: RLM	SCALE: 1/1	SIZE: A
	X.XXX	± .005		RELEASE NO. 1438			