



COLONEL ELECTRIC GLUER PARTS LIST

Page 1 of 3

<u>PART NO.</u>	<u>DESCRIPTION</u>
1-20	Top Feed Roller - 20" Gluer (Gearless)
1-32	Top Feed Roller - 32" Gluer (Gearless)
2-20	Bottom Feed Roller - 20" Gluer
2-32	Bottom Feed Roller - 32" Gluer
3	Bottom Feed Roller Gear (Approx. 2")
4	Gear Set Screw
5-20	Pressure Feed Rod - 20" Gluer
5-32	Pressure Feed Rod - 32" Gluer
6	Pressure Feed Rod Lock Knob
7	Stop Nut
8	Pressure Feed Adjustment Knob
9	Bushing (Double Faced)
10-20	Glue Application Roller - 20" Gluer
10-32	Glue Application Roller - 32" Gluer
11	Glue Control Roller Gear (Approx. 2.25")
12R	Right Bushing (Single Faced)
12L	Left Bushing (Single Faced)
13-20	Glue Pickup Roller - 20" Gluer
13-32	Glue Pickup Roller - 32" Gluer
14	Double Drive Gear (Single Unit)
15-20	Finger (Only) - 20" Gluer
15-32	Finger (Only) - 32" Gluer
15&16-20	Finger & Point Assembly with Screw - 20" Gluer
15&16-32	Finger & Point Assembly with Screw - 32" Gluer
16	Pick Off Point
17	Screw for Finger
18-20	Brass Finger Rod - 20" Gluer
18-32	Brass Finger Rod - 32" Gluer
19	Calrod Heater Ceramic Plug
19A	Calrod Heater White Plastic Plug (Gluer w/serial # starting "590" & up)
20	Power Plug
21	Motor - 1/3 HP 115 volts AC
22	Variable Speed Pulley
22A	Fixed Pulley - 3"
22B	Fixed Pulley - 3.5"
23	Allen Screw
24	Motor Speed Control Mounting Plate with Knob
25&26	Motor Mounting Bolt & Washer
27	Drive Belt (3L270)
28	Flywheel Collar (Only)
28 & 29	Flywheel with Pinion Gear & Collar
30	Eccentric Shaft & Adjusting Nut

The Gluefast Company, Inc.
 3535 Route 66, Bldg. #1, Neptune, NJ 07753 USA
 Phone 732-918-4600 / FAX 732-918-4646 / E-mail: gluers@gluefast.com



COLONEL ELECTRIC GLUER PARTS LIST

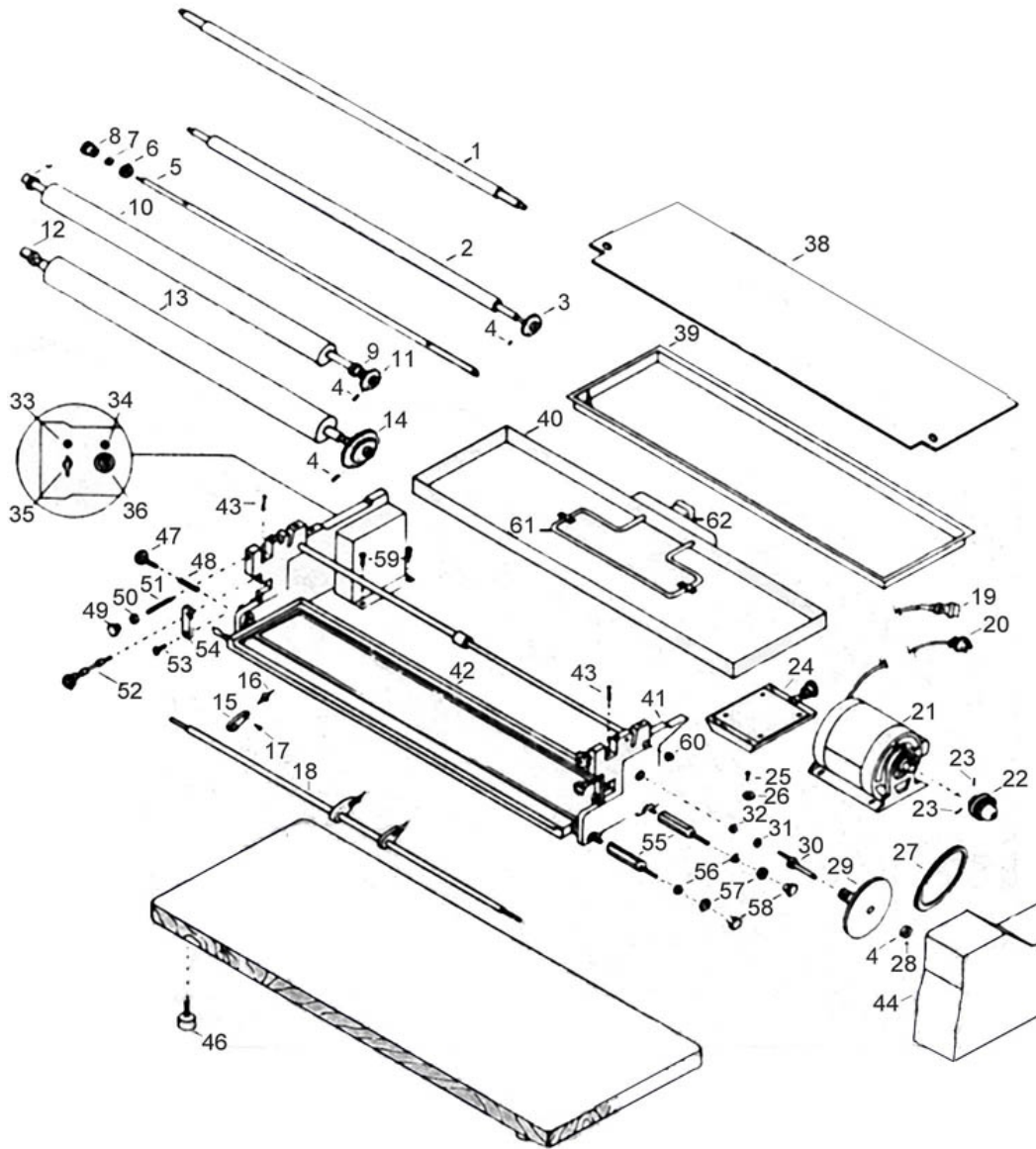
Page 2 of 3

<u>PART NO.</u>	<u>DESCRIPTION</u>
31 & 32	Eccentric Shaft Washer & Locknut
33	Indicator Lamp for Motor
34	Indicator Lamp for Heater
35	On/Off Knob for Motor
36	Temperature Control Knob for Heater
Not Shown	Motor Switch
Not Shown	Temperature Control Switch
37	Cover Knob
38-20	Standard Cover Plate - 20" Gluer (10.25" Depth)
38-20L	Large Cover Plate - 20" Gluer (19.5" Depth)
38-32	Standard Cover Plate - 32" Gluer (10.25" Depth)
38-32L	Large Cover Plate - 32" Gluer (19.5" Depth)
39-20	Glue Tray for 20" Gluer
39-32	Glue Tray for 32" Gluer
40-20	Calrod Heater & Hot Water Tray - 20" Gluer
40-32	Calrod Heater & Hot Water Tray - 32" Gluer
41-20	Main Frame with Support Crossbar & Hub - 20" Gluer
41-32	Main Frame with Support Crossbar & Hub - 32" Gluer
42-20	Glue Tray Platform with handle - 20" Gluer
42-32	Glue Tray Platform with handle - 32" Gluer
43	Tension Spring for Glue Application Roller
44	Drive Guard Cover
45-20	Wood Platform Base for 20" Gluer
45-32	Wood Platform Base for 32" Gluer
46	Platform Foot Support
47	Glue Tray Positioning Knob
48	Pressure Spring & Ball Bearing
49,50, & 51	Glue Control Knob, Locknut & Tapered Shaft
52	Finger Rod Mounting Knob & Support
53	Bushing Cover Bolt
54	Bushing Retention Plate
55	Drive Guard Cover Support Posts
56 & 57	Guard Limit Locknut & Support Plate
58	Drive Guard Cover Knob
59	Switch Cover Mounting Screw
60	Cross Bar Mounting Nut
61	Calrod Heater Element (without Male Connector)
62	Male Connector for Calrod Heater Plug (Ceramic - Part #19)
62A	Male Connector for Calrod Heater Plug (White Plastic - Part #19A)
Not Shown	Roller Guard for 20" Gluer
Not Shown	Roller Guard for 32" Gluer

The Gluefast Company, Inc.
 3535 Route 66, Bldg. #1, Neptune, NJ 07753 USA
 Phone 732-918-4600 / FAX 732-918-4646 / E-mail: gluers@gluefast.com



COLONEL GLUER SCHEMATIC DIAGRAM



The Gluefast Company, Inc.
3535 Route 66, Bldg. #1, Neptune, NJ 07753 USA
Phone 732-918-4600 / FAX 732-918-4646 / E-mail: gluers@gluefast.com